

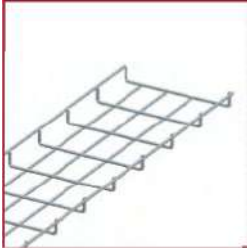


Catalogue

of Fiber Optic Products

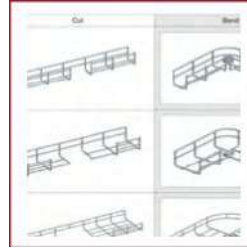


PRODUCTS



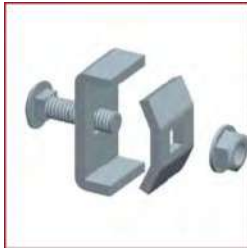
STRAIGHT SECTIONS

Technical parameters.....Pag. 4-5
 Height 25.....Pag. 6
 Height 50.....Pag. 7
 Height 75.....Pag. 8
 Height 100.....Pag. 9
 Height 150.....Pag. 10
 Height 200.....Pag. 11



QUICK GUIDE

.....Pag 50-55



COUPLER

.....Pag 12-17



QUALITY CHECK

.....Pag 56-57



ACCESSORIES

.....Pag 18-34

UP AND DOWN CURVE COUPLER	HANGER ELECTRICAL BOX 130X172mm	HANGER ELECTRICAL BOX 107X130mm
WMD-CEN-A1C	WMD-ACC-FB1	WMD-ACC-FB2
WMD-CEN-A1C	WMD-ACC-FB1	WMD-ACC-FB2
WMD-CEN-A1C	WMD-ACC-FB1	WMD-ACC-FB2
WMD-CEN-A1C	WMD-ACC-FB1	WMD-ACC-FB2
WMD-CEN-A1C	WMD-ACC-FB1	WMD-ACC-FB2
WMD-CEN-A1C	WMD-ACC-FB1	WMD-ACC-FB2
WMD-CEN-A1C	WMD-ACC-FB1	WMD-ACC-FB2
WMD-CEN-A1C	WMD-ACC-FB1	WMD-ACC-FB2

HOW TO ORDER

.....Pag 58 -63



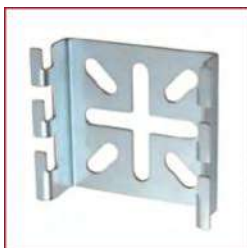
CEILING HANGER

.....Pag 36-40



FLOOR SUPPORT

.....Pag 41-45



WALL BRACKET

.....Pag 46-48



TECHNICAL PARAMETERS

Materials & surface finishing

Materials	Surface finishing	Thickness of coating	Application environment
Medium carbon steel	Electro-galvanized	$\geq 12 \mu\text{m}$	Indoor
	Hot dip galvanized	$60 \mu\text{m} \sim 100 \mu\text{m}$	Indoor, Outdoor
	Powder coating	$60 \mu\text{m} \sim 100 \mu\text{m}$	Indoor, Different colors available
SS304	N/A	N/A	Indoor, Outdoor
SS316/ SS316L	N/A	N/A	High corrosion occasions

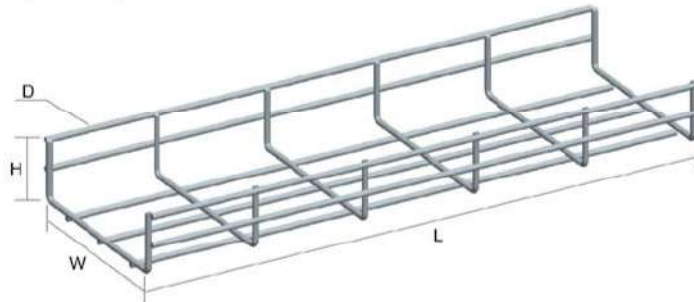
Dimensions

Height (H): 25mm, 50mm, 75mm, 100mm, 125mm, 150mm...

Width (W): 50mm ~ 1000mm

Length (L): 300mm ~ 3000mm

Diameter (D): 3.5mm ~ 6.0mm



Installations

Bends, Risers, T Junctions, Crosses and Reducers can be made from wire mesh cable duct straight sections flexibly in projects.

Trays shall be supported at normally span 1.5m by bracket (maximum span is 2.5m).

Wire mesh cable duct systems can be safely used in places where the temperature ranges between -40°C and $+150^{\circ}\text{C}$ without any change to their characteristics.

WIRE MESH CABLE DUCT

STRAIGHT SECTIONS

TECHNICAL PARAMETERS

Safe Work Loading Test

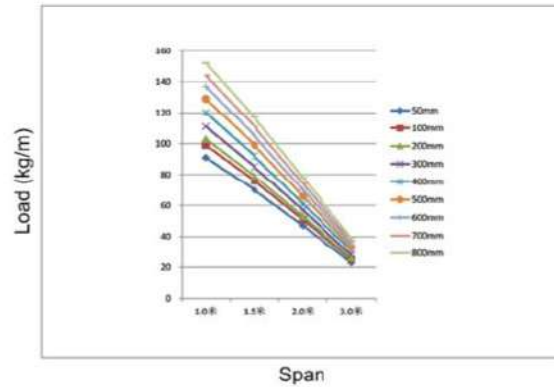
The test is taken in compliance with Standard IEC: 61537-2007.

Below tables show the safe work loading data. The data of Max loading is 2-3 times that of Safe loading.

IF welding technology enables the welding spot with better strength.

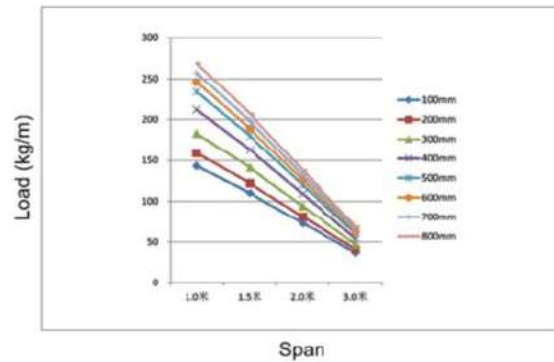
Loading Capability of Vichnet wire baskets(Kg/meter)

WMD50 wire diameter=5mm		Safe work loading			
		Span			
Height(mm)	Width(mm)	1.0m	1.5m	2.0m	2.5m
50	50mm	91	70	47	23
50	100mm	99	76	51	25
50	200mm	103	79	53	26
50	300mm	111	85	57	28
50	400mm	120	92	61	31
50	500mm	129	99	66	33
50	600mm	137	105	70	35
50	700mm	144	111	74	37
50	800mm	152	117	78	39



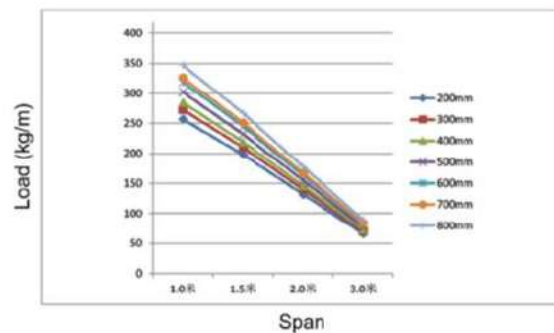
Loading Capability of Vichnet wire baskets(Kg/meter)

WMD100 wire diameter=5mm		Safe work loading			
		Span			
Height(mm)	Width(mm)	1.0m	1.5m	2.0m	2.5m
100	100mm	143	110	73	37
100	200mm	159	122	81	41
100	300mm	183	141	94	47
100	400mm	212	163	109	54
100	500mm	234	180	120	60
100	600mm	246	189	126	63
100	700mm	257	198	132	66
100	800mm	269	207	138	69



Loading Capability of Vichnet wire baskets(Kg/meter)

WMD150 wire diameter=5mm		Safe work loading			
		Span			
Height(mm)	Width(mm)	1.0m	1.5m	2.0m	2.5m
150	200mm	257	198	132	66
150	300mm	273	210	140	70
150	400mm	285	219	146	73
150	500mm	302	232	155	77
150	600mm	319	245	163	82
150	700mm	326	251	167	84
150	800mm	347	267	178	89





WMD25

WMD 25 Series Wire Mesh Cable Duct (Height=25mm)

Part Number	Height		Width		Length		Dia	
	mm	Inch	mm	Inch	mm	Inch	mm	Inch
WMD H-W-L-D-F								
WMD25-50-3000-5.0-EZ	25	1	50	2	3000	118	5.0	0.2
WMD25-75-3000-5.0-EZ	25	1	75	3	3000	118	5.0	0.2
WMD25-100-3000-5.0-EZ	25	1	100	4	3000	118	5.0	0.2
WMD25-150-3000-5.0-EZ	25	1	150	6	3000	118	5.0	0.2
WMD25-200-3000-5.0-EZ	25	1	200	8	3000	118	5.0	0.2
WMD25-300-3000-5.0-EZ	25	1	300	12	3000	118	5.0	0.2
WMD25-400-3000-5.0-EZ	25	1	400	16	3000	118	5.0	0.2

WMD H-W-L-D-F Description:

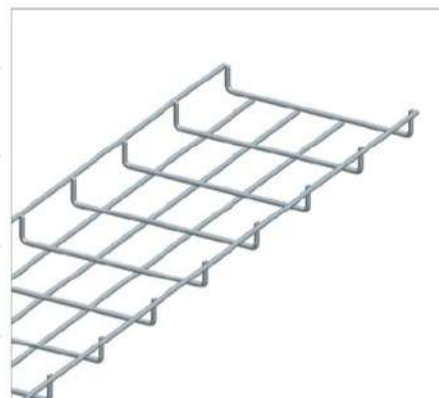
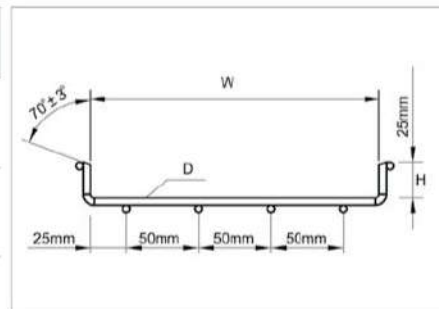
H: Height = 25mm
 W: Width = from 50mm to 400mm
 L: Length = from 300mm to 3000mm
 D: Diameter = from 3.5mm to 6.0mm

For width of 50mm wire mesh cable duct with 2 wires on bottom available, the model name with CMS.
 The span of 2 wires is 25mm.

F: Surface finishing:

EZ (Electro zinc plating $\geq 12 \mu\text{m}$)
 HDG (Hot dip galvanizing $\geq 60 \mu\text{m}$)
 PC (Powder coated 60 ~ 100 μm)
 GI (Pre-galvanized wire)
 SS304 (N/A)
 SS316 (N/A)
 SS316L (N/A)

Width (mm)	Wire Count
50	
50	
75	
100	
150	
200	
300	
400	



WIRE MESH CABLE DUCT

STRAIGHT SECTIONS

WMD50

WMD50 Series Wire Mesh Cable Duct (Height=50mm)

Part Number	Height		Width		Length		Dia	
	mm	Inch	mm	Inch	mm	Inch	mm	Inch
WMD H-W-L-D-F								
WMD50-50-3000-5.0-EZ	50	2	50	2	3000	118	5.0	0.2
WMD550-50-3000-5.0-EZ	50	2	50	2	3000	118	5.0	0.2
WMD50-75-3000-5.0-EZ	50	2	75	3	3000	118	5.0	0.2
WMD50-100-3000-5.0-EZ	50	2	100	4	3000	118	5.0	0.2
WMD50-150-3000-5.0-EZ	50	2	150	6	3000	118	5.0	0.2
WMD50-200-3000-5.0-EZ	50	2	200	8	3000	118	5.0	0.2
WMD50-300-3000-5.0-EZ	50	2	300	12	3000	118	5.0	0.2
WMD50-400-3000-5.0-EZ	50	2	400	16	3000	118	5.0	0.2
WMD50-450-3000-5.0-EZ	50	2	450	18	3000	118	5.0	0.2
WMD50-500-3000-5.0-EZ	50	2	500	20	3000	118	5.0	0.2
WMD50-600-3000-5.0-EZ	50	2	600	24	3000	118	5.0	0.2

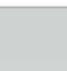










WMD H-W-L-D-F Description:

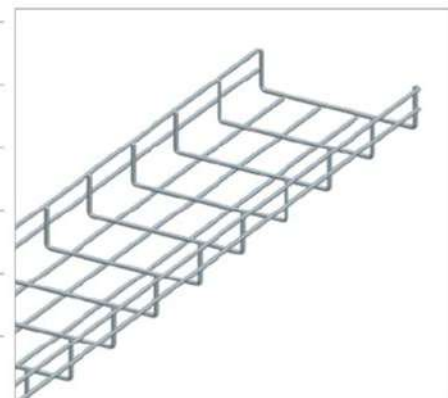
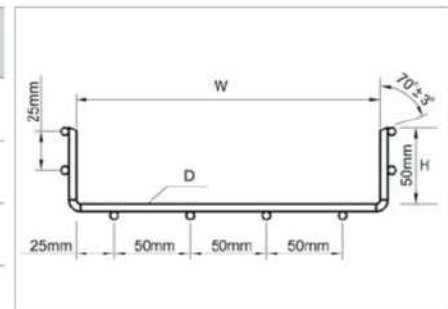
H: Height = 50mm
 W: Width = from 50mm to 600mm
 L: Length = from 300mm to 3000mm
 D: Diameter = from 3.5mm to 6.0mm

For width of 50mm wire mesh cable duct with 2 wires on bottom available, the model name with CMS.
 The span of 2 wires is 25mm.

F: Surface finishing:

EZ (Electro zinc plating > 12 μm)
 HDG (Hot dip galvanizing > 60 μm)
 PC (Powder coated 60 ~ 100 μm)
 GI (Pre-galvanized wire)
 SS304 (N/A)
 SS316 (N/A)
 SS316L (N/A)

Width (mm)	Wire Count
50	
50	
75	
100	
150	
200	
300	
400	
450	
500	
600	





WMD75

WMD75 Series Wire Mesh Cable Duct (Height=75mm)

Part Number	Height		Width		Length		Dia	
	mm	Inch	mm	Inch	mm	Inch	mm	Inch
WMD75-100-3000-5.0-EZ	75	3	100	4	3000	118	5.0	0.2
WMD75-150-3000-5.0-EZ	75	3	150	6	3000	118	5.0	0.2
WMD75-200-3000-5.0-EZ	75	3	200	8	3000	118	5.0	0.2
WMD75-300-3000-5.0-EZ	75	3	300	12	3000	118	5.0	0.2
WMD75-400-3000-5.0-EZ	75	3	400	16	3000	118	5.0	0.2
WMD75-450-3000-5.0-EZ	75	3	450	18	3000	118	5.0	0.2
WMD75-500-3000-5.0-EZ	75	3	500	20	3000	118	5.0	0.2
WMD75-600-3000-5.0-EZ	75	3	600	24	3000	118	5.0	0.2

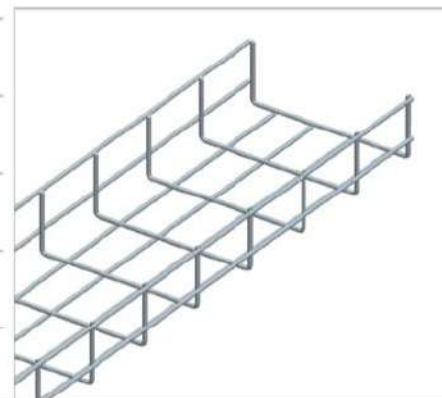
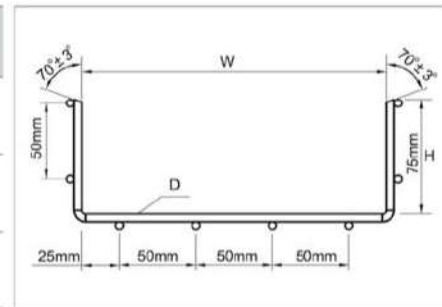
WMD H-W-L-D-F Description:

H: Height = 75mm
 W: Width = from 100mm to 600mm
 L: Length = from 300mm to 3000mm
 D: Diameter = from 3.5mm to 6.0mm

F: Surface finishing:

EZ (Electro zinc plating $> 12 \mu m$)
 HDG (Hot dip galvanizing $> 60 \mu m$)
 PC (Powder coated $60 \sim 100 \mu m$)
 GI (Pre-galvanized wire)
 SS304 (N/A)
 SS316 (N/A)
 SS316L (N/A)

Width (mm)	Wire Count
50	N/A
100	
150	
200	
300	
400	
450	
500	
600	



WIRE MESH CABLE DUCT

STRAIGHT SECTIONS

WMD100

WMD100 Series Wire Mesh Cable Duct (Height=100mm)

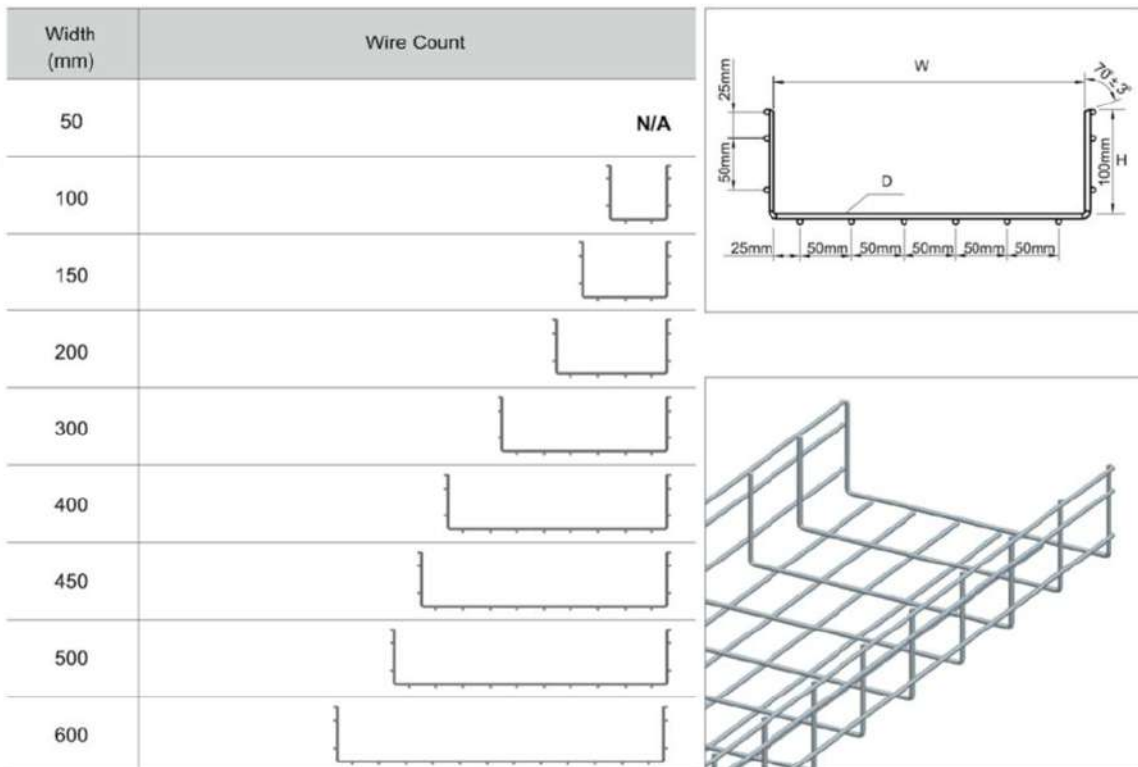
Part Number	Height		Width		Length		Dia	
	mm	Inch	mm	Inch	mm	Inch	mm	Inch
WMD H-W-L-D-F								
WMD100-100-3000-5.0-EZ	100	4	100	4	3000	118	5.0	0.2
WMD100-150-3000-5.0-EZ	100	4	150	6	3000	118	5.0	0.2
WMD100-200-3000-5.0-EZ	100	4	200	8	3000	118	5.0	0.2
WMD100-300-3000-5.0-EZ	100	4	300	12	3000	118	5.0	0.2
WMD100-400-3000-5.0-EZ	100	4	400	16	3000	118	5.0	0.2
WMD100-450-3000-5.0-EZ	100	4	450	18	3000	118	5.0	0.2
WMD100-500-3000-5.0-EZ	100	4	500	20	3000	118	5.0	0.2
WMD100-600-3000-5.0-EZ	100	4	600	24	3000	118	5.0	0.2

WMD H-W-L-D-F Description:

H: Height = 100mm
 W: Width = from 100mm to 900mm
 L: Length = from 300mm to 3000mm
 D: Diameter = from 3.5mm to 6.0mm

F: Surface finishing:

EZ (Electro zinc plating $> 12 \mu\text{m}$)
 HDG (Hot dip galvanizing $> 60 \mu\text{m}$)
 PC (Powder coated 60 ~ 100 μm)
 GI (Pre-galvanized wire)
 SS304 (N/A)
 SS316 (N/A)
 SS316L (N/A)





WMD150

WMD150 Series Wire Mesh Cable Duct (Height=150mm)

Part Number	Height		Width		Length		Dia	
	mm	Inch	mm	Inch	mm	Inch	mm	Inch
WMD H-W-L-D-F								
WMD150-150-3000-5.0-EZ	150	6	150	6	3000	118	5.0	0.2
WMD150-200-3000-5.0-EZ	150	6	200	8	3000	118	5.0	0.2
WMD150-300-3000-5.0-EZ	150	6	300	12	3000	118	5.0	0.2
WMD150-400-3000-5.0-EZ	150	6	400	16	3000	118	5.0	0.2
WMD150-450-3000-5.0-EZ	150	6	450	18	3000	118	5.0	0.2
WMD150-500-3000-5.0-EZ	150	6	500	20	3000	118	5.0	0.2
WMD150-600-3000-5.0-EZ	150	6	600	24	3000	118	5.0	0.2

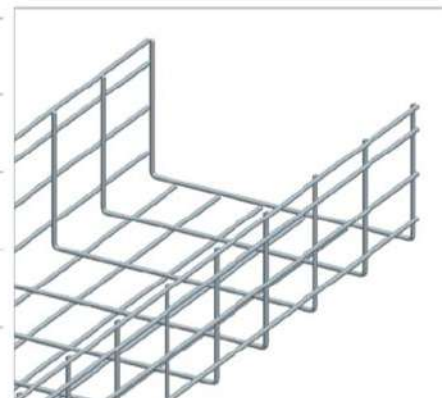
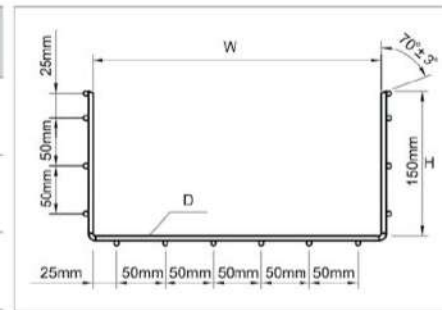
WMD H-W-L-D-F Description:

H: Height = 150mm
 W: Width = from 150mm to 900mm
 L: Length = from 300mm to 3000mm
 D: Diameter = from 3.5mm to 6.0mm

F: Surface finishing :

EZ (Electro zinc plating $> 12 \mu\text{m}$)
 HDG (Hot dip galvanizing $> 60 \mu\text{m}$)
 PC (Powder coated $60 \sim 100 \mu\text{m}$)
 GI (Pre-galvanized wire)
 SS304 (N/A)
 SS316 (N/A)
 SS316L (N/A)

Width (mm)	Wire Count
50	N/A
100	N/A
150	
200	
300	
400	
450	
500	
600	



WIRE MESH CABLE DUCT STRAIGHT SECTIONS

WMD 200

WMD 200 Series Wire Mesh Cable Duct (Height=200mm)







Part Number	Height		Width		Length		Dia	
	mm	Inch	mm	Inch	mm	Inch	mm	Inch
WMDH-W-L-D-F								
WMD200-200-3000-5.0-EZ	200	8	200	8	3000	118	5.0	0.2
WMD200-300-3000-5.0-EZ	200	8	300	12	3000	118	5.0	0.2
WMD200-400-3000-5.0-EZ	200	8	400	16	3000	118	5.0	0.2
WMD200-450-3000-5.0-EZ	200	8	450	18	3000	118	5.0	0.2
WMD200-500-3000-5.0-EZ	200	8	500	20	3000	118	5.0	0.2
WMD200-600-3000-5.0-EZ	200	8	600	24	3000	118	5.0	0.2

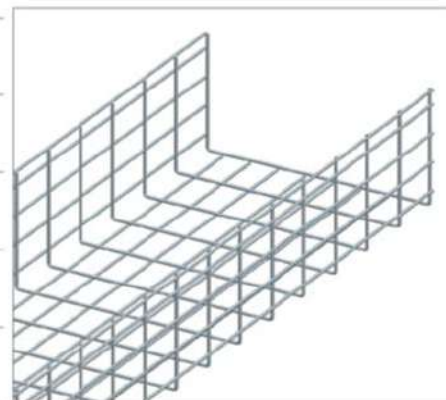
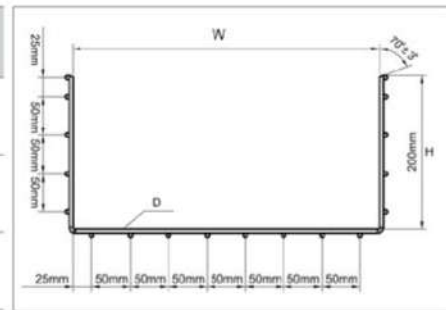
WMD H-W-L-D-F Description:

H: Height = 200mm
 W: Width = from 200mm to 800mm
 L: Length = from 300mm to 3000mm
 D: Diameter = from 3.5mm to 6.0mm

F: Surface finishing:

EZ (Electro zinc plating $\geq 12 \mu\text{m}$)
 HDG (Hot dip galvanizing $\geq 60 \mu\text{m}$)
 PC (Powder coated 60 ~ 100 μm)
 GI (Pre-galvanized wire)
 SS304 (N/A)
 SS316 (N/A)
 SS316L (N/A)

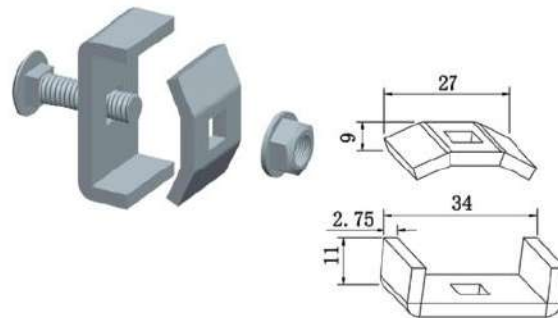
Width (mm)	Wire Count
50	N/A
100	N/A
150	N/A
200	
300	
400	
450	
500	
600	





WMD - CON - 34

Connector for straight section
 diameter wire 4-6mm



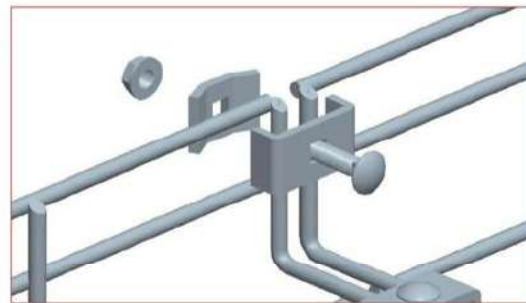
Description

Apply to: (1) Connect 2 straight sections of wire mesh cable duct; (2) make bends

Fit for: Diameter of wire from 4.0mm to 6.0mm

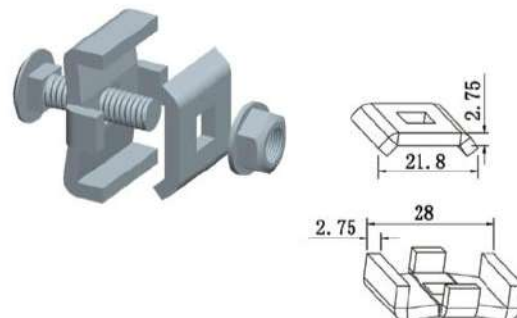
Include: WDM-CON-34-top ×1, WDM-CON-34-bottom ×1, M6 × 20bolt × 1, M6 Nut × 1

Feature: (1) Strong connection; (2) Popular



WMD - CON - 28

Connector for straight section
 diameter wire 3,5-5mm



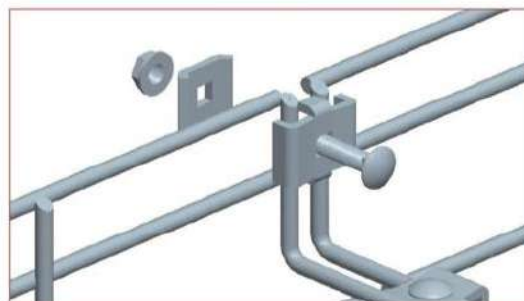
Description

Apply to: (1) Connect 2 straight sections of wire mesh cable duct; (2) make bends

Fit for: Diameter of wire from 3.5mm to 5.0mm

Include: WDM-CON-28-top ×1, WDM-CON-28-bottom ×1, M6 × 20bolt × 1, M6 Nut × 1

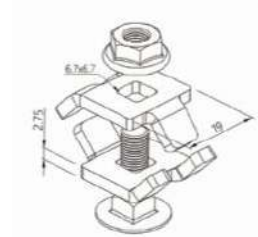
Feature: (1) Strong connection; (2) Smaller than WDM-CON-34



WIRE MESH CABLE DUCT COUPLER

WMD-CON-YY

Connector for straight section
diameter wire 3,5-5mm



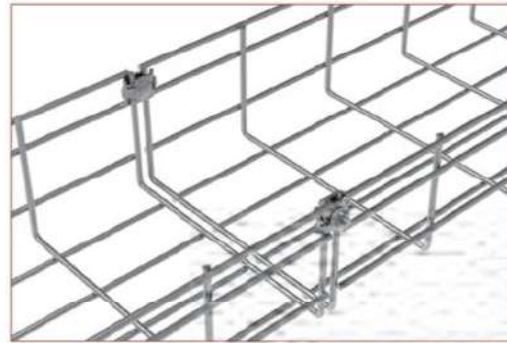
Description

Apply to: (1) Connect 2 straight sections of wire mesh cable duct; (2) make bends

Fit for: Diameter of wire from 3.5mm to 5.0mm

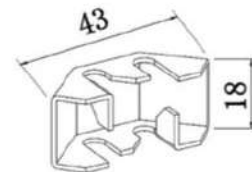
Include: WDM-CON-YY-top ×1, WDM-CON-YY-bottom ×1, M6×20bolt × 1, M6 Nut × 1

Feature: (1) Strong connection; (2) Smaller than KK34



WMD-CON-FLK

Connector fast lock for
curve(boltless)



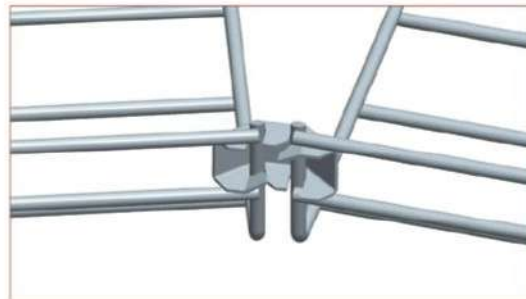
Description

Apply to: Make bends

Fit for: Diameter of wire from 4.0mm to 6.0mm

Include: 1 unit

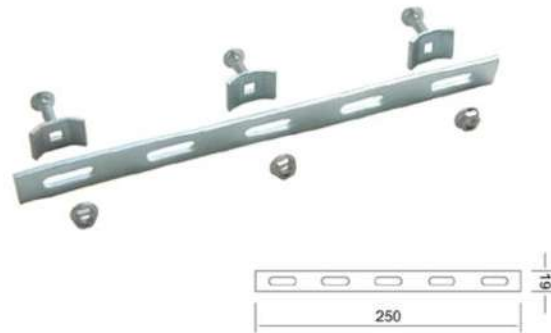
Feature: (1) Boltless, (2) Fast installation





WMD-CON- SBR

Connector strong for straight section diameter wire 3,5-6mm



Description

Apply to: Connect 2 straight sections of wire mesh cable duct
Fit for: Diameter of wire from 3.5mm to 6.0mm
Include: Bar × 1, WDM-CON-34-top × 3, M6 × 20bolt × 3, M6 Nut × 3
Feature: Very strong connection



WMD-CON-SPL

Connector fast lock for straight section 1 SIDE (boltless)



Description

Apply to: Connect 2 straight sections of duct
Fit for: Diameter of wire from 4.5mm to 5.5mm
Include: 1 unit
Feature: (1) Boltless; (2) Fast installation



WMD-CON-BTC

Connector fast lock for straight section BOTTOM (boltless)



Description

Apply to: Connect 2 straight sections of duct on bottom

Fit for: Diameter of wire from 4.5mm to 5.5mm

Include: 1 unit

Feature: (1) Boltless; (2) Fast installation



WMD - CON - CSB

Connector strong for T and Cross diameter wire 3,5-6mm



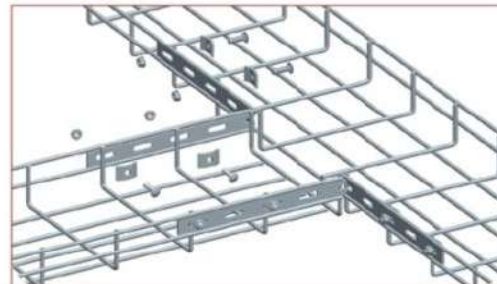
Description

Apply to: Make T and Cross connections

Fit for: Diameter of wire from 3.5mm to 6.0mm

Include: Bar x 1, WDM-CON-34-top x 4, M6 x 20 bolt x 4, M6 Nut x 4

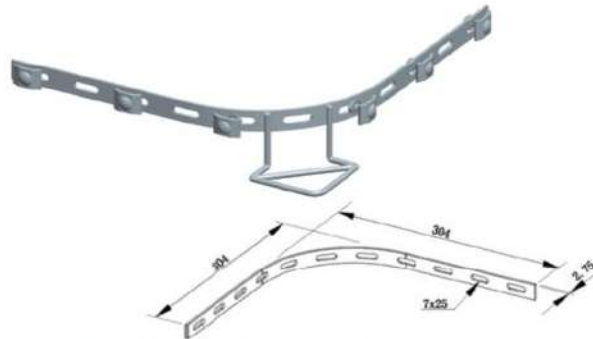
Feature: (1) Very strong connection
(2) Easy to install





WMD - CON - RC90

Connector strong with curve
 for T and Cross



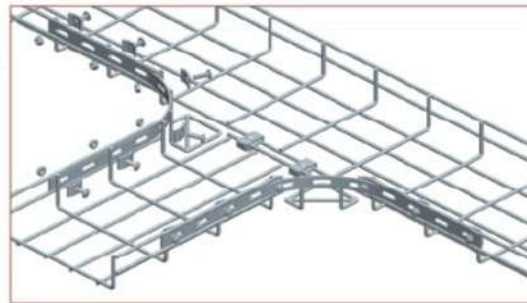
Description

Apply to: Make T and Cross connections for wire mesh cable duct

Fit for: Height of duct 50mm, 100mm, 150mm

Include: WDM-CON-RC90 x 1, WDM-CON-34-top x 6, M6 x 20 bolt x 6, m6 nut x 6

Feature: Strong connection, easy to install, beautiful and practical



Part Number	Description
WMD-CON-RC90-050	Connector strong with curve for for T and Cross for H50mm
WMD-CON-RC90-075	Connector strong with curve for for T and Cross for H75mm
WMD-CON-RC90-100	Connector strong with curve for for T and Cross for H100mm
WMD-CON-RC90-150	Connector strong with curve for for T and Cross for H150mm
WMD-CON-RC90-200	Connector strong with curve for for T and Cross for H200mm

WIRE MESH CABLE DUCT COUPLER

WMD - CON - AJC

Connector adjustable strong for
up and down curve



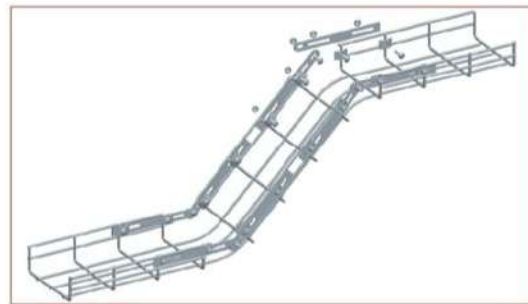
Description

Apply to: Strengthen the connection of internal and external bends of wire mesh cable duct

Fit for: Wire diameter from 3.5mm to 6.0mm

Include: Bar x 2, WDM-CON-34-top x 4,
M6 X 20bolt x 5, m6 nut x 6

Feature: Improve the connection, easy to fix





WMD - ACC - DVA

Divider A between power cables and data cables for WMD



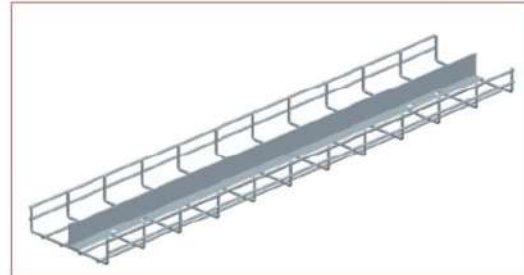
Description

Apply to: Divide power cables and data cables

Fit for: Diameter from 3.5mm to 6.0mm,
all width of duct

Include: Unit × 1

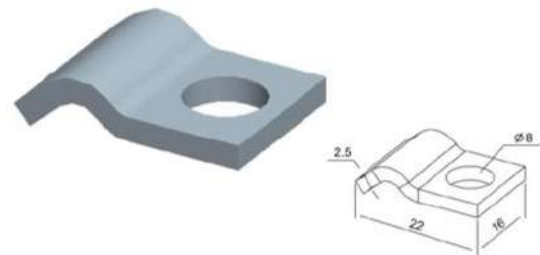
Feature: Easy installation



Part Number	Description
WMD-CON-RC90-050	Connector strong with curve for for T and Cross for H50mm
WMD-CON-RC90-075	Connector strong with curve for for T and Cross for H75mm
WMD-CON-RC90-100	Connector strong with curve for for T and Cross for H100mm

WMD - ACC - DWC

Clip for fix divider to wire mesh



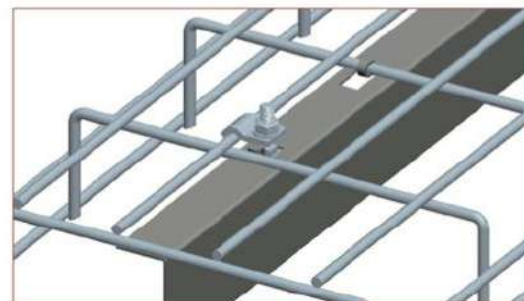
Description

Apply to: Fix the Divider to wire mesh cable duct

Fit for: Wire diameter from 4mm to 6.0mm

Include: WDM-ACC-DWC × 1

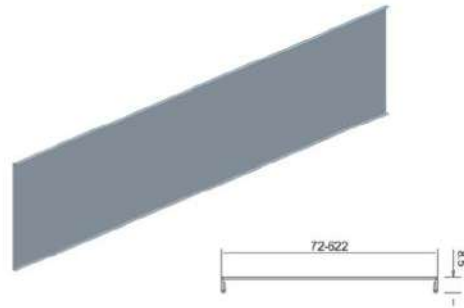
Feature: Easy to install, beautiful and practical



ACCESSORIES

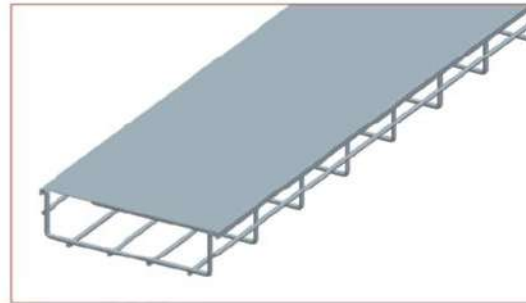
WMD - ACC - CVB

**Straight section COVER with 4 hangers
wire mesh cable duct**



Description

Apply to: Cover trays to avoid dust
 Fit for: Diameter from 3.5mm to 6.0mm,
 all width of duct
 Include: Unit x 1
 Feature: Easy installation

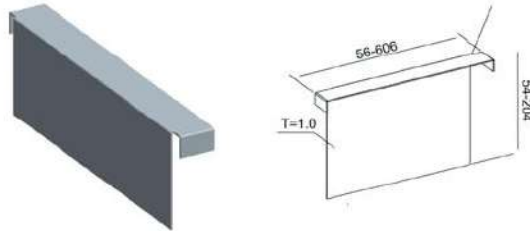


Part Number	Description
WMD-ACC-CVB-050	Straight section COVER wire mesh cable duct W: 50mm-L: 1000mm Electro zinc plating
WMD-ACC-CVB-100	Straight section COVER wire mesh cable duct W: 100mm-L: 1000mm Electro zinc plating
WMD-ACC-CVB-150	Straight section COVER wire mesh cable duct W: 150mm-L: 1000mm Electro zinc plating
WMD-ACC-CVB-200	Straight section COVER wire mesh cable duct W: 200mm-L: 1000mm Electro zinc plating
WMD-ACC-CVB-300	Straight section COVER wire mesh cable duct W: 300mm-L: 1000mm Electro zinc plating
WMD-ACC-CVB-400	Straight section COVER wire mesh cable duct W: 400mm-L: 1000mm Electro zinc plating
WMD-ACC-CVB-450	Straight section COVER wire mesh cable duct W: 450mm-L: 1000mm Electro zinc plating
WMD-ACC-CVB-500	Straight section COVER wire mesh cable duct W: 500mm-L: 1000mm Electro zinc plating
WMD-ACC-CVB-600	Straight section COVER wire mesh cable duct W: 600mm-L: 1000mm Electro zinc plating



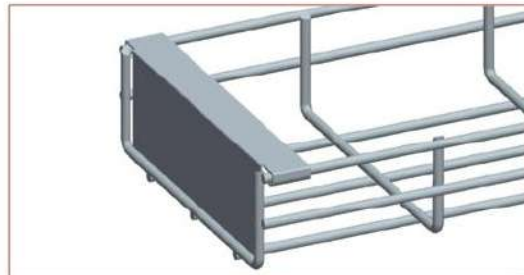
WMD - ACC - END

End Cap Straight section wire mesh cable duct H: 25mm



Description

- Apply to: Terminate duct
- Fit for: Diameter from 3.5mm to 6.0mm, all width of duct
- Include: Unit x 1
- Feature: Easy installation



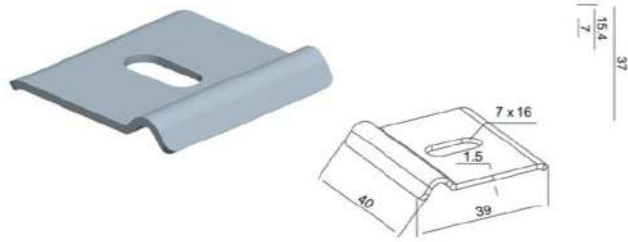
Part Number	Description
WMD-25-50 WMD25-50-END	End Cap Straight section wire mesh cable duct H: 25mm-W: 50mm
WMD-25-75 WMD25-75-END	End Cap Straight section wire mesh cable duct H: 25mm-W: 75mm
WMD-25-100 WMD25-100-END	End Cap Straight section wire mesh cable duct H: 25mm-W: 100mm
WMD-25-150 WMD25-150-END	End Cap Straight section wire mesh cable duct H: 25mm-W: 150mm
WMD-25-200 WMD25-200-END	End Cap Straight section wire mesh cable duct H: 25mm-W: 200mm
WMD-25-300 WMD25-300-END	End Cap Straight section wire mesh cable duct H: 25mm-W: 300mm
WMD-25-400 WMD25-400-END	End Cap Straight section wire mesh cable duct H: 25mm-W: 400mm
WMD-50-50 WMD50-50-END	End Cap Straight section wire mesh cable duct H: 50mm-W: 50mm
WMD-50-75 WMD50-75-END	End Cap Straight section wire mesh cable duct H: 50mm-W: 75mm
WMD-50-100 WMD50-100-END	End Cap Straight section wire mesh cable duct H: 50mm-W: 100mm
WMD-50-150 WMD50-150-END	End Cap Straight section wire mesh cable duct H: 50mm-W: 150mm
WMD50-200 WMD50-200-END	End Cap Straight section wire mesh cable duct H: 50mm-W: 200mm
WMD-50-300 WMD50-300-END	End Cap Straight section wire mesh cable duct H: 50mm-W: 300mm
WMD-50-400 WMD50-400-END	End Cap Straight section wire mesh cable duct H: 50mm-W: 400mm
WMD-50-450 WMD50-450-END	End Cap Straight section wire mesh cable duct H: 50mm-W: 450mm
WMD-50-500 WMD50-500-END	End Cap Straight section wire mesh cable duct H: 50mm-W: 500mm
WMD-50-600 WMD50-600-END	End Cap Straight section wire mesh cable duct H: 50mm-W: 600mm
WMD-75-100 WMD75-100-END	End Cap Straight section wire mesh cable duct H: 75mm-W: 100mm
WMD-75-150 WMD75-150-END	End Cap Straight section wire mesh cable duct H: 75mm-W: 150mm

Part Number	Description
WMD75-200-END	End Cap Straight section wire mesh cable duct H: 75mm-W: 200mm
WMD75-300-END	End Cap Straight section wire mesh cable duct H: 75mm-W: 300mm
WMD75-400-END	End Cap Straight section wire mesh cable duct H: 75mm-W: 400mm
WMD75-450-END	End Cap Straight section wire mesh cable duct H: 75mm-W: 450mm
WMD75-500-END	End Cap Straight section wire mesh cable duct H: 75mm-W: 500mm
WMD75-600-END	End Cap Straight section wire mesh cable duct H: 75mm-W: 600mm
WMD100-100-END	End Cap Straight section wire mesh cable duct H: 100mm-W: 100mm
WMD100-150-END	End Cap Straight section wire mesh cable duct H: 100mm-W: 150mm
WMD100-200-END	End Cap Straight section wire mesh cable duct H: 100mm-W: 200mm
WMD100-300-END	End Cap Straight section wire mesh cable duct H: 100mm-W: 300mm
WMD100-400-END	End Cap Straight section wire mesh cable duct H: 100mm-W: 400mm
WMD100-450-END	End Cap Straight section wire mesh cable duct H: 100mm-W: 450mm
WMD100-500-END	End Cap Straight section wire mesh cable duct H: 100mm-W: 500mm
WMD100-600-END	End Cap Straight section wire mesh cable duct H: 100mm-W: 600mm
WMD150-150-END	End Cap Straight section wire mesh cable duct H: 150mm-W: 150mm
WMD150-200-END	End Cap Straight section wire mesh cable duct H: 150mm-W: 200mm
WMD150-300-END	End Cap Straight section wire mesh cable duct H: 150mm-W: 300mm
WMD150-400-END	End Cap Straight section wire mesh cable duct H: 150mm-W: 400mm
WMD150-450-END	End Cap Straight section wire mesh cable duct H: 150mm-W: 450mm
WMD150-500-END	End Cap Straight section wire mesh cable duct H: 150mm-W: 500mm
WMD150-600-END	End Cap Straight section wire mesh cable duct H: 150mm-W: 600mm
WMD200-200-END	End Cap Straight section wire mesh cable duct H: 200mm-W: 200mm
WMD200-300-END	End Cap Straight section wire mesh cable duct H: 200mm-W: 300mm
WMD200-400-END	End Cap Straight section wire mesh cable duct H: 200mm-W: 400mm
WMD200-450-END	End Cap Straight section wire mesh cable duct H: 200mm-W: 450mm
WMD200-500-END	End Cap Straight section wire mesh cable duct H: 200mm-W: 500mm
WMD200-600-END	End Cap Straight section wire mesh cable duct H: 200mm-W: 600mm



WMD - ACC - SHD

Clip for fix the wire mesh with brackets, supports or hangers



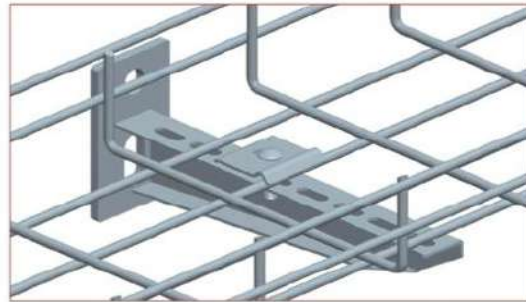
Description

Apply to: Fix the wire mesh cable duct on machine, floor directly

Fit for: Wire diameter from 4mm to 6.0mm

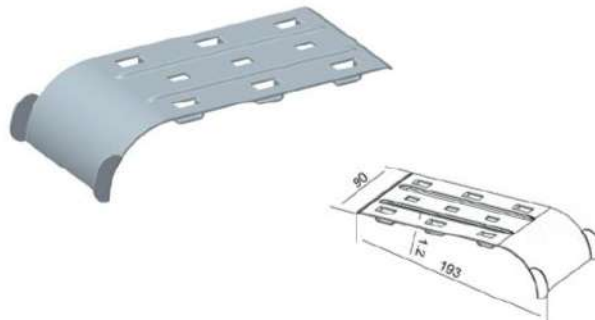
Include: WMD - ACC - SHD × 1

Feature: Easy to install, beautiful and practical



WMD - ACC - CGD

End Cap Straight section wire mesh cable duct H: 25mm



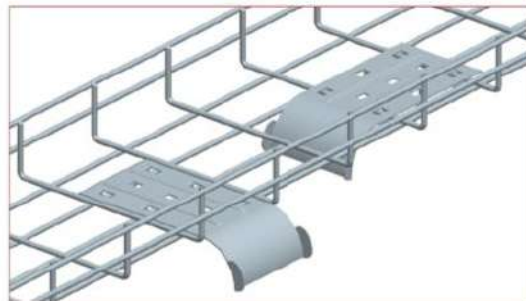
Description

Apply to: Output cables from duct

Fit for: Diameter from 3.5mm to 6.0mm,
width of duct ≥ 150 mm

Include: Unit × 1

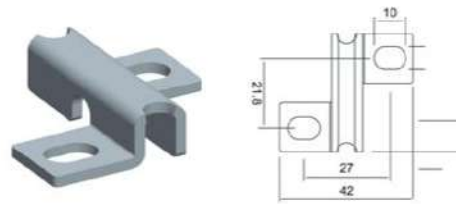
Feature: Keep right output angle of cables



ACCESSORIES

WMD - ACC - CCP

Clip for fix the wire mesh with brackets, supports, hangers or wall or floor directly



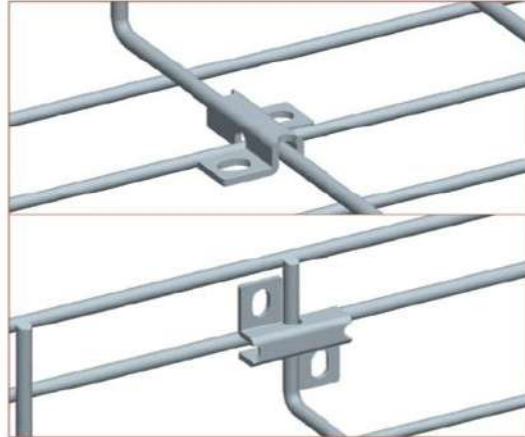
Description

Apply to: Fix the wire mesh cable duct on machine, wall, floor directly

Fit for: Wire diameter from 4mm to 6mm

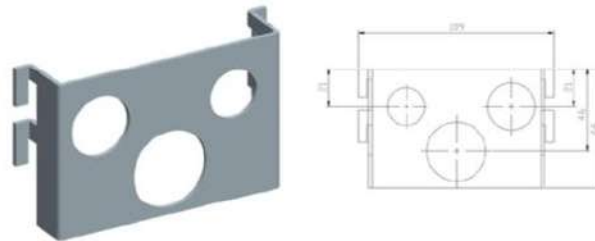
Include: WMD-ACC-CCP × 1

Feature: Easy to install, beautiful and practical



WMD - ACC - PIP

Hanger plate for pipes for diameters 20, 25 and 32mm

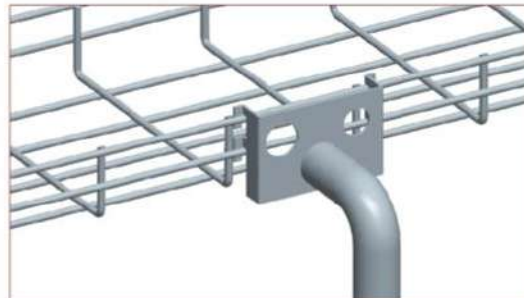


Description

Apply to: Diameter of 32mm、25mm、20mm Pipe connection on the wire mesh cable duct

Fit for: Diameter from 3.5mm to 6.0mm wire mesh cable

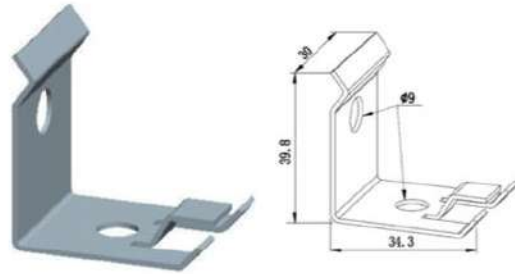
Include: WMD - ACC - CDH × 1





WMD - ACC - COP

Support 100mm wire mesh duct on floor or top of cabinet



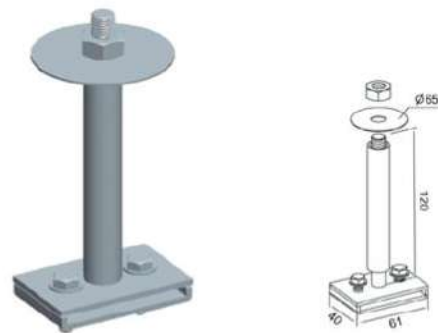
Description

- Apply to: Fix the equipment and wire mesh cable duct
- Fit For: Diameter of wire 4.0mm
- Include: Coupler * 1
- Feature: 1)Strong connection; 2)Easy to install



WMD - ACC - CBR

Wire Cable Roller to protect radius of curvature



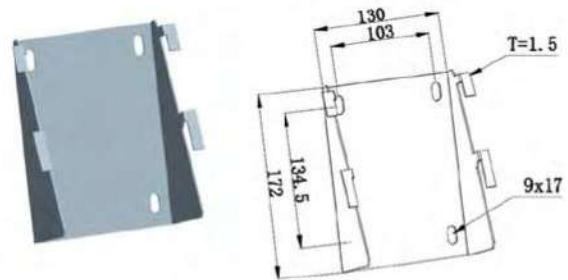
Description

- Apply to: Protect cables on corner
- Fit for: Diameter from 5.0mm to 6.0mm, all width of duct
- Include: Unit x 1
- Feature: Keep right output angle of cables



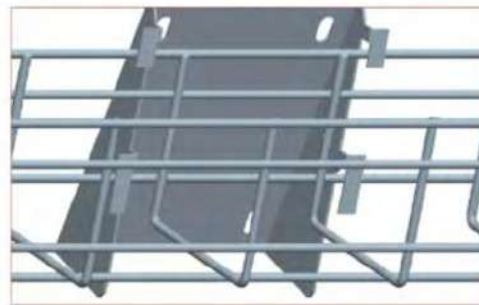
WMD - ACC - EB1

Hanger plate to fix Electrical box 130x172mm



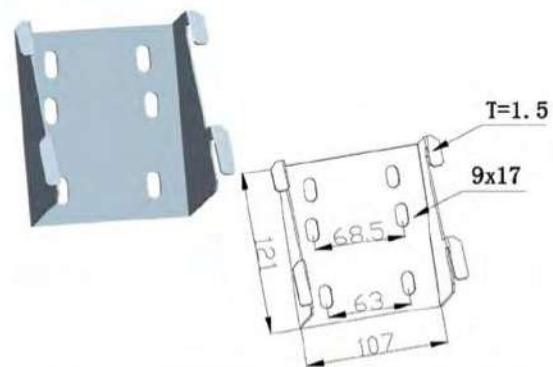
Description

Apply to: Mount electrical box
Fit for: Wire diameter from 3.5mm to 6.0mm
Include: WMD-SUP-BRK-SPB x 1
Feature: Easy to install, beautiful and practical



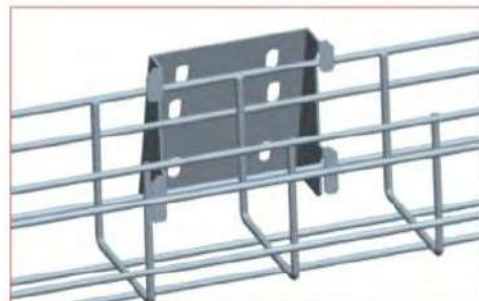
WMD - ACC - EB2

Hanger plate to fix Electrical box 107x121mm



Description

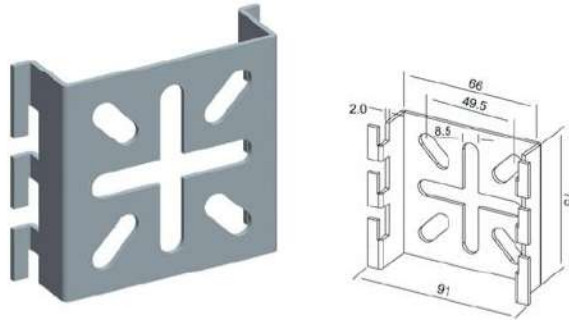
Apply to: Mount electrical box
Fit for: Wire diameter from 3.5mm to 6.0mm
Include: WMD - ACC - EB2 x 1
Feature: Easy to install, beautiful and practical





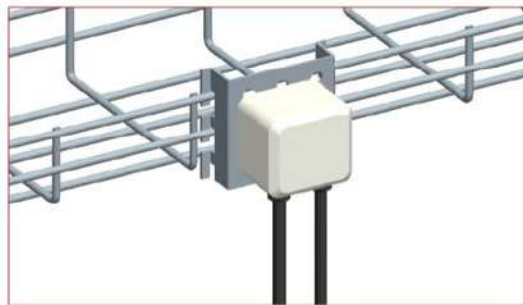
WMD - SUP - BRK - SPB

Bracket Spider wire mesh duct to
fix Electrical box 75x66mm



Description

Apply to: Mount electrical box
Fit for: Wire diameter from 3.5mm to 6.0mm
Include: WMD - SUP - BRK - SPB x 1
Feature: Easy to install, beautiful and practical



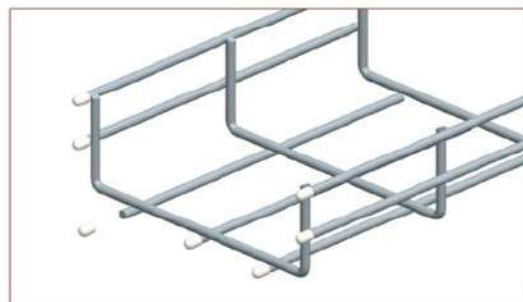
WMD - ACC - WIR - CAP

Wire mesh cut protection ABS Cap



Description

Apply to: Cap the cut wire
Fit for: Diameter from 4.0mm to 6.0mm
Include: Unit x 1
Feature: Safe and pretty



ACCESSORIES

WMD - ACC - COP

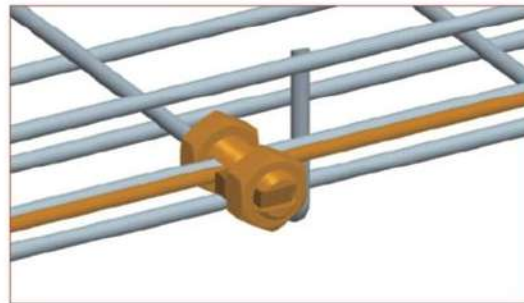
Wire Cable Roller to protect radius of curvature

Description

Apply to: Earth

Include: Unit × 1

Feature: Better earthing



Part Number	Description
WMD-ACC-COP-5MM	Copper earthing bolt for wire mesh with diameters between 3,5 and 5mm
WMD-ACC-COP-6MM	Copper earthing bolt for wire mesh with diameters between 5 and 6mm

WMD - ACC - CNL - CAP

C Channel cut protection ABS Cap



Description

Apply to: Side cover of C-channel

Fit for: 41 × 41 C-channel

Include: WMD-ACC-CNL-CAP × 1

Feature: Beautiful and practical





WMD - ACC - SGN

Label with customizable logo available

Description

Apply to: Label

Fit for: Diameter of wire from 4.0mm to 6.0mm

Include: 1 unit

Feature: Easy to install, customized LOGO available



WMD - ACC - CUT

Cutter is used to cut wires

Description

Cutter is used to cut wires



WMD - ACC - CFT - 60

Velcro cable tie, 20mm width, 30meters per roll



Cable Tie

Material: Made of PP, the public face NYLON black (with red, yellow, blue, green).

Use: Apply to the network cable (UTP/STP/Fiber), signal lines power lines beam up, to avoid the use of traditional nylon assoried cable, and the impact of tight due to transmission speed, can be reused.

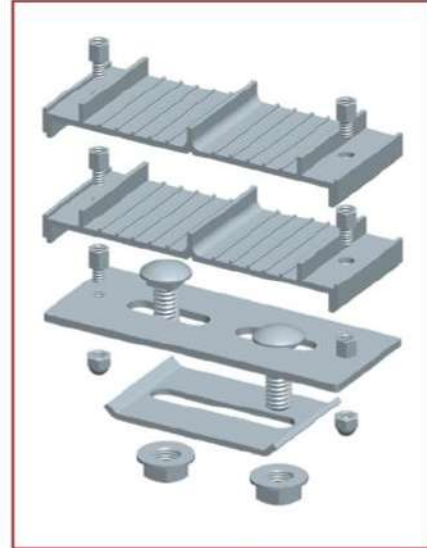
Item No.	L(mm)	W(mm)	Max Bundle Dia(mm)	Remarks
NLZD-20	3000	20	—	Can be cut at project site
NLZD-12 x 100MM-A	100	12	27	Special size can be customized
NLZD-12 x 100MM-B	100	12	27	
NLZD-12 x 100MM-C	100	12	27	
NLZD-12 x 100MM-D	100	12	27	



WMD-ACC-CFB-6

Fixer base

#6CFT is for cables in diameter of 5mm~6mm

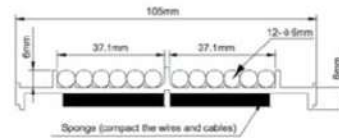


Description

Apply to: Fix WMD - ACC - CFT - 6 to duct
 Fit for: All ducts
 Include: Set × 1
 Feature: Organize wires and cables

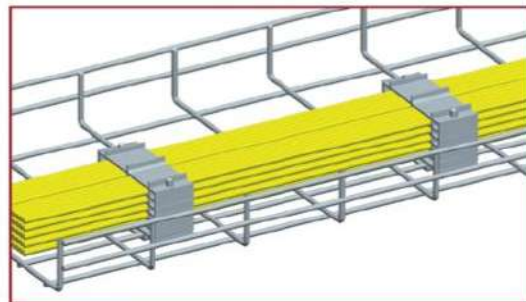
WMD-ACC-CFT-6

Organize cables #6CFT is for cables in diameter of 5mm~6mm



Description

Apply to: Organize cables
 Fit for: #6 CFT is for cables in diameter of 5mm~6mm
 Include: Unit × 1, M4 S-nut × 2
 Feature: Organize wires and cables

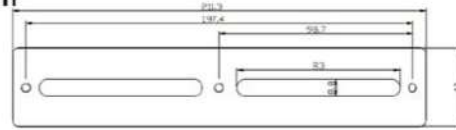


ACCESSORIES

WMD-ACC-CFB-14

Fixer base

#14CFT is for cables in diameter of 5mm~6mm



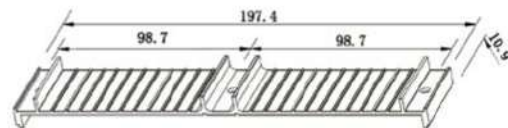
Description

- Apply to: Fix WMD-ACC-CFT-14 to duct
- Fit for: All ducts
- Include: Set x 1
- Feature: Organize wires and cables



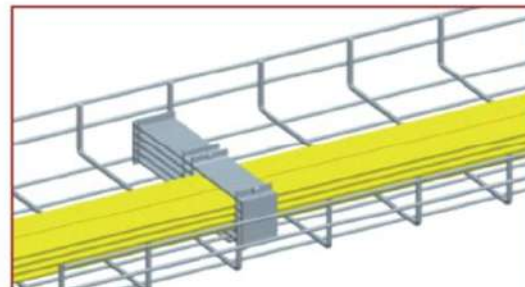
WMD-ACC-CFT-14

Organize cables #14CFT is for cables in diameter of 5mm~6mm



Description

- Apply to: Organize cables
- Fit for: #14 CFT is for cables in diameter of 5mm~6mm
- Include: Unit x 1, M4 S-nut x 3
- Feature: Organize wires and cables

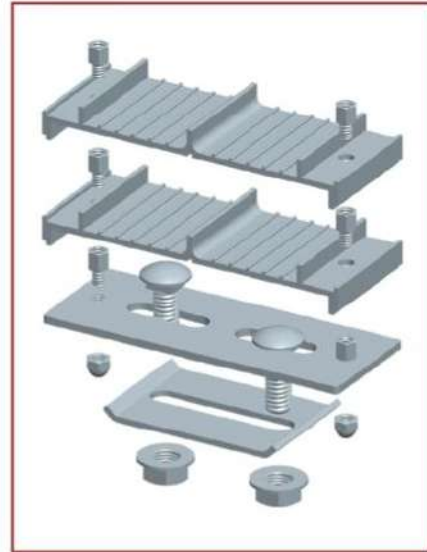




WMD-ACC-CFB-7

Fixer base

#7CFT is for cables in diameter of 6mm~7mm



Description

Apply to: Fix WMD-ACC-CFT-7 to duct

Fit for: All ducts

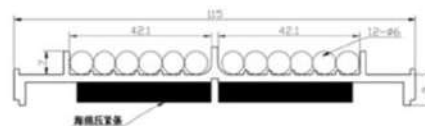
Include: Set × 1

Feature: Organize wires and cables

WMD-ACC-CFT-7

Organize cables

#7CFT is for cables in diameter of 6mm~7mm



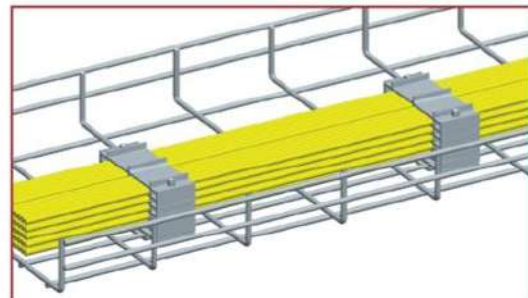
Description

Apply to: Organize cables

Fit for: #7 CFT is for cables in diameter of 6mm~7mm

Include: Unit × 1, M4 S-nut × 2

Feature: Organize wires and cables



WMD-ACC-CFB-11

Fixer base

#11CFT is for cables in diameter of 7mm~9mm"



Description

Apply to: Fix WMD-ACC-CFT-11 to duct

Fit for: All ducts

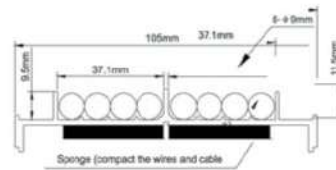
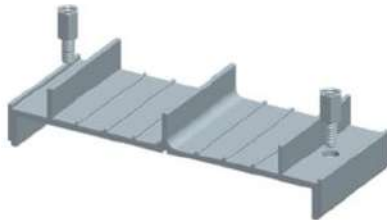
Include: Set × 1

Feature: Organize wires and cables

WMD-ACC-CFT-11

Organize cables

#11CFT is for cables in diameter of 7mm~9mm



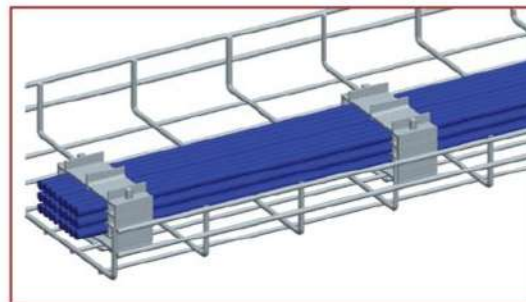
Description

Apply to: Organize cables

Fit for: #11CFT is for cables in diameter of 7mm~9mm

Include: Unit × 1, M4 S-nut × 2

Feature: Organize wires and cables





WMD-ACC-CFB-60

Fixer base cables and optional cables
Cables in diameter from 11mm to 60mm

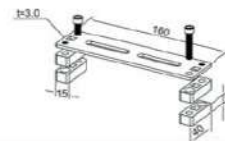
Description

Apply to: Fix WMD-ACC-CFT-60 to duct
Fit for: All duct
Include: Set x 1
Feature: Made from steel



WMD-ACC-CFT-60

Organize power cables and optional cables
Cables in diameter from 11mm to 60mm



Description

Apply to: Organize power cables and optional cables
Fit for: Cables' diameter from 6mm to 60mm
Include: Unit x 1, ABS nut x n
Feature: Made from steel

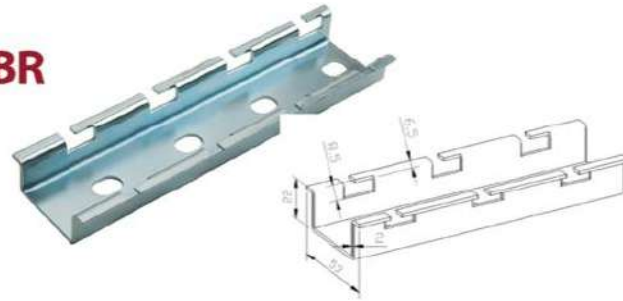






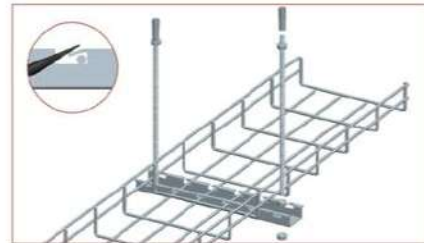
WMD - HAN - SUP - ΩBR

Hanger/Support Ω bar wire mesh duct



Description

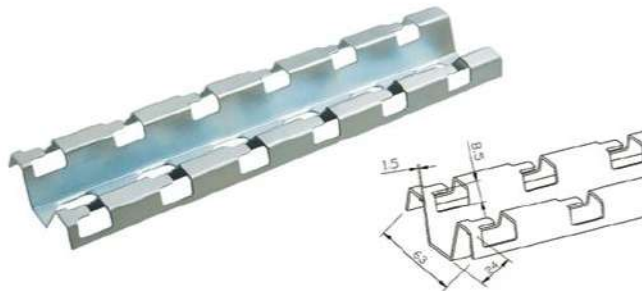
Apply to: Hang ducts under ceiling
 Fit for: Diameter of wire from 3.5mm to 6.0mm
 Include: 1 unit, (Rods and nuts are optional)
 Feature: Most popular



Part Number	Description
WMD-HAN-SUP-ΩBR-100	Hanger/Support Ω bar wire mesh duct W: 100mm under ceiling
WMD-HAN-SUP-ΩBR-200	Hanger/Support Ω bar wire mesh duct W: 200mm under ceiling
WMD-HAN-SUP-ΩBR-300	Hanger/Support Ω bar wire mesh duct W: 300mm under ceiling
WMD-HAN-SUP-ΩBR-400	Hanger/Support Ω bar wire mesh duct W: 400mm under ceiling

WMD - HAN - MBR

Hanger M bar wire mesh duct



Description

Apply to: Hang ducts under ceiling
 Fit for: Diameter of wire from 3.5mm to 6.0mm
 Include: 1 unit, (rods and nuts are optional)
 Feature: Similar to WMD - HAN - SUP - ΩBR

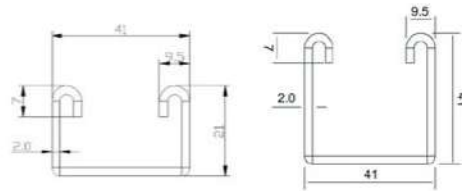


Part Number	Description
WMD-HAN-MBR-100	Hanger M bar wire mesh duct W: 100mm under ceiling
WMD-HAN-MBR-200	Hanger M bar wire mesh duct W: 200mm under ceiling
WMD-HAN-MBR-300	Hanger M bar wire mesh duct W: 300mm under ceiling
WMD-HAN-MBR-400	Hanger M bar wire mesh duct W: 400mm under ceiling

CEILING HANGER

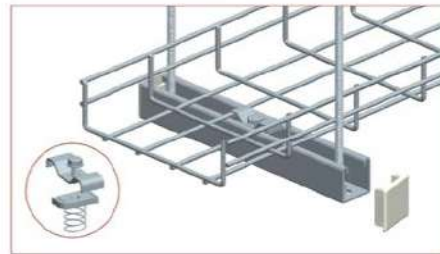
WMD - HAN - CNL

Hanger C Channel bar wire mesh duct for multiuse



Description

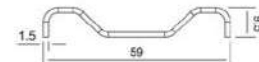
Apply to: Multi-use
 Fit for: Diameter of wire from 3.5mm to 6.0mm
 Include: 1 unit
 Feature: Standard structure material



Part Number	Description
WMD-HAN-CNL400	Hanger C Channel bar wire mesh duct for multiuse
WMD-HAN-CNL450	Hanger C Channel bar wire mesh duct for multiuse
WMD-HAN-CNL500	Hanger C Channel bar wire mesh duct for multiuse
WMD-HAN-CNL600	Hanger C Channel bar wire mesh duct for multiuse

WMD - HAN - HDC

Hanger hold down clip to fix wire mesh duct for WMD-HAN-CNLxxx



Description

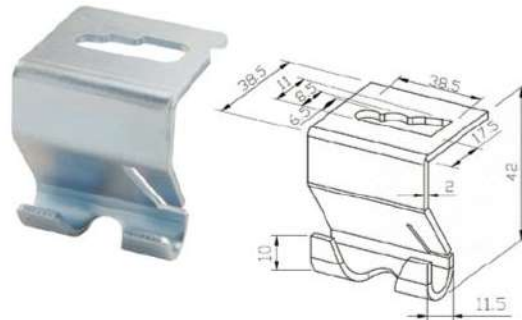
Apply to: Fix ducts on C channel bar
 Fit for: Diameter of wire from 3.5mm to 6.0mm
 Include: WMD-HAN-HDC × 1, M6 spring nut × 1, M6 bolt × 1
 Feature: Easy to install and strong supporting





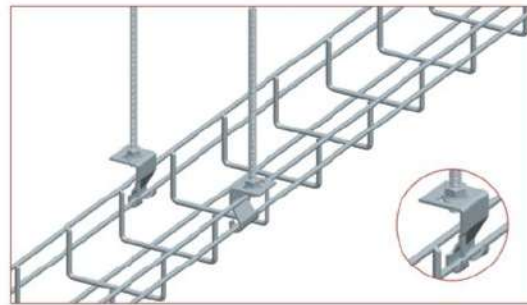
WMD - HAN - HKS

Hanger hook wire mesh
duct under ceiling



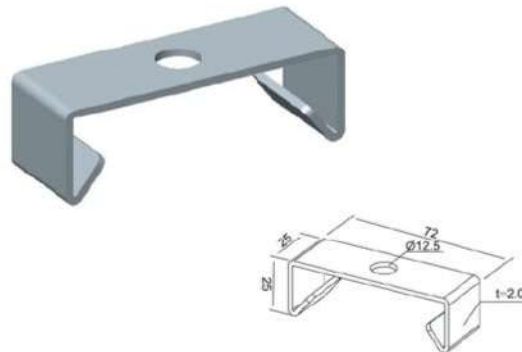
Description

Apply to: Hang ducts under ceiling
Fit for: Diameter of wire from 3.5mm to 6.0mm,
the width of ducts should be \leq 200mm
Include: 1 unit (rods and nuts are optional)
Feature: Economical and easy to install



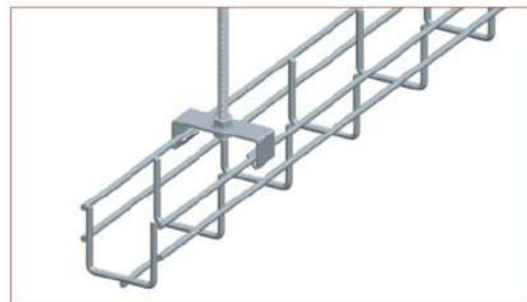
WMD - HAN - THR

Hanger 50mm wire mesh
duct under ceiling



Description

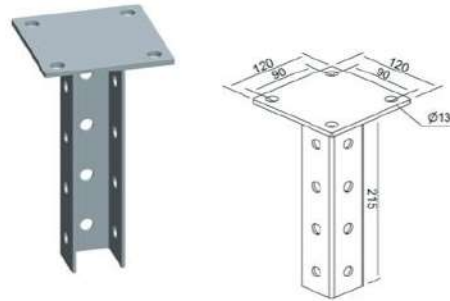
Apply to: Hang 50mm width ducts under ceiling
Fit for: Diameter of wire from 3.5mm to 6.0mm,
the width of duct is 50mm
Include: 1 unit (rods and nuts are optional)
Feature: For 50mm width duct only



WIRE MESH CABLE DUCT CEILING HANGER

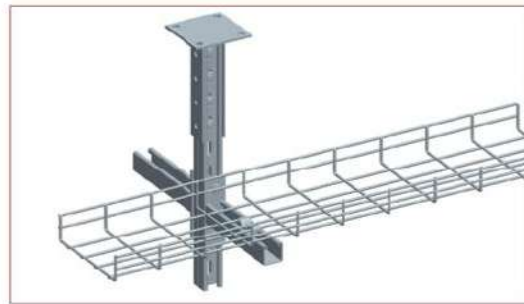
WMD - HAN - TCH

Hanger T wire mesh duct
under the ceiling



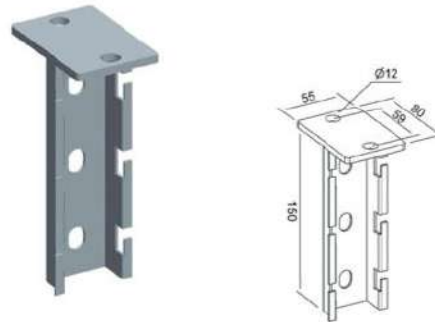
Description

Apply to: Hang ducts under ceiling
Fit for: Width of wire mesh less than 400mm
Include: WMD-HAN-TCH × 1, M10 × 60bolt&uts x 4
Feature: For multi-layers, height adjustable



WMD - HAN - THB

Hanger T type wire mesh duct
under ceiling in vertical position



Description

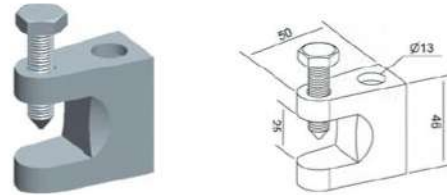
Apply to: Hang ducts under ceiling vertically
Fit for: Diameter of wire from 3.5mm to 6.0mm
Include: Unit × 1
Feature: No swing





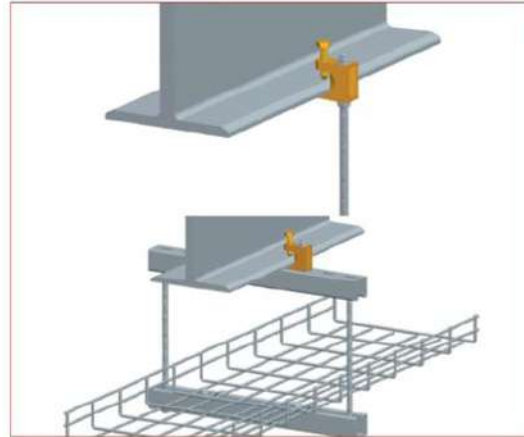
WMD - HAN - CIB

Hanger CLIP wire mesh
duct under I-beam



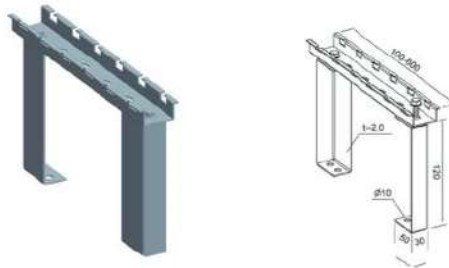
Description

Apply to: Installation of wire mesh cable
duct under I-beam or U-channel
Fit for: Rod 10mm-12mm in Dia
Include: Unit × 1
Feature: Wide usage and strong support



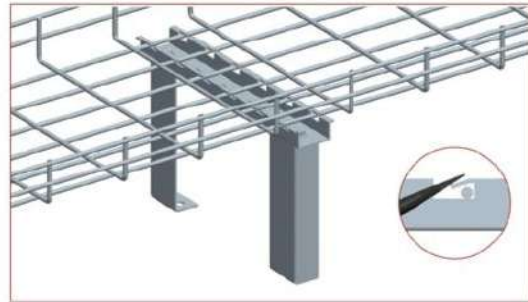
WIRE MESH CABLE DUCT FLOOR SUPPORT

WMD - SUP - EFS Support wire mesh duct



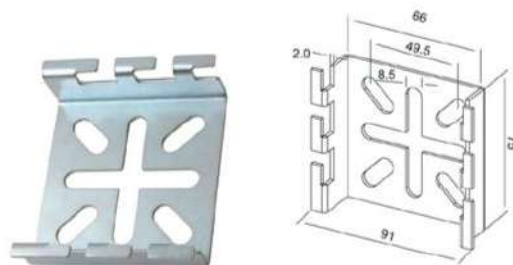
Description

Apply to: Floor or cabinet top
 Fit for: Width of duct from 100mm to 600mm
 Include: Bar x 1, foot x 2, a set of bolt and nut
 Feature: Easy installation



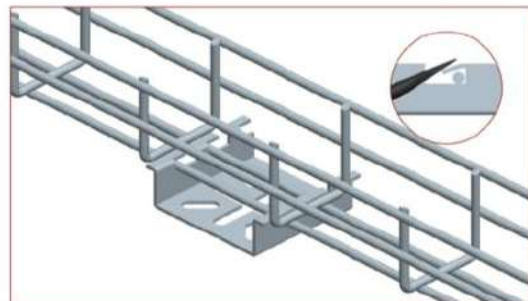
Part Number	Description
WMD-SUP-EFS150	Support wire mesh duct W: 150mm on floor or top of cabinet
WMD-SUP-EFS200	Support wire mesh duct W: 200mm on floor or top of cabinet
WMD-SUP-EFS300	Support wire mesh duct W: 300mm on floor or top of cabinet
WMD-SUP-EFS400	Support wire mesh duct W: 400mm on floor or top of cabinet
WMD-SUP-EFS450	Support wire mesh duct W: 450mm on floor or top of cabinet
WMD-SUP-EFS500	Support wire mesh duct W: 500mm on floor or top of cabinet
WMD-SUP-EFS600	Support wire mesh duct W: 600mm on floor or top of cabinet

WMD - SUP - BRK - SPB Support Spider 100mm wire mesh duct on floor or top of cabinet



Description

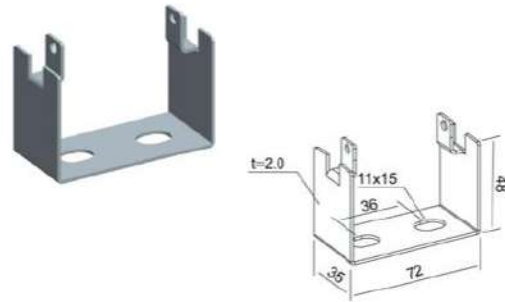
Apply to: Support ducts on floor
 Fit for: Diameter from 3.5mm to 6.0mm,
 width from 100mm to 600mm
 Include: 1 unit
 Feature: Easy installation and low cost





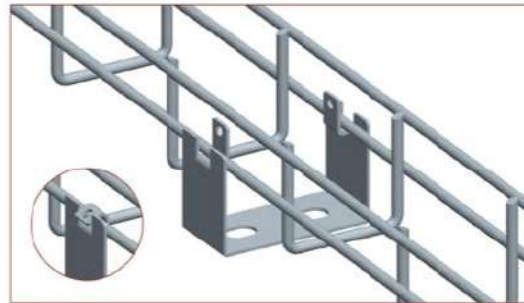
WMD - SUP - 50F

Support 50mm **BOTTOM** wire mesh duct on floor or top of cabinet



Description

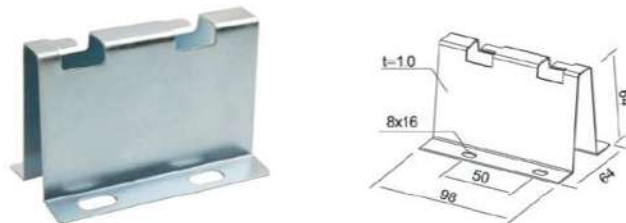
- Apply to: Support 50mm ducts on floor or top of cabinet
- Fit for: Diameter from 3.5mm to 6.0mm, Width =50mm ducts
- Include: 1 unit
- Feature: Easy installation and low cost



Part Number	Description
WMD-SUP-050S	Support 50mm SIDE wire mesh duct on floor or top of cabinet
WMD-SUP-075S	Support 75mm SIDE wire mesh duct on floor or top of cabinet
WMD-SUP-100S	Support 100mm SIDE wire mesh duct on floor or top of cabinet

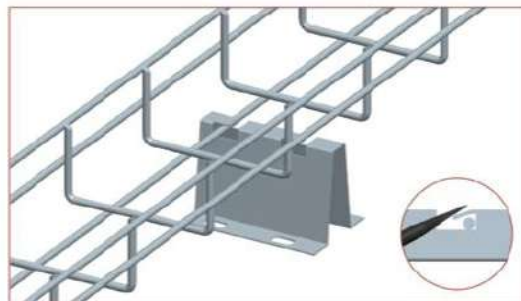
WMD - SUP - 100

Support 100mm wire mesh duct on floor or top of cabinet



Description

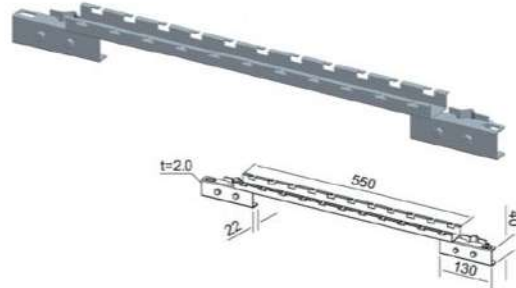
- Apply to: Support duct on floor or top of cabinet
- Fit for: Width 100mm ducts
- Include: 1 unit
- Feature: Easy installation and low cost



WIRE MESH CABLE DUCT FLOOR SUPPORT

WMD - SUP - VFB

Support wire mesh duct



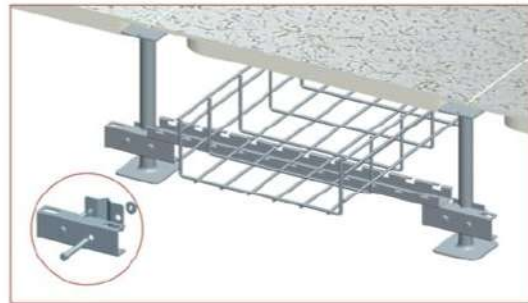
Description

Apply to: Support ducts under raised floor

Fit for: Diameter from 3.5mm to 6.0mm,
width from 100mm to 500mm

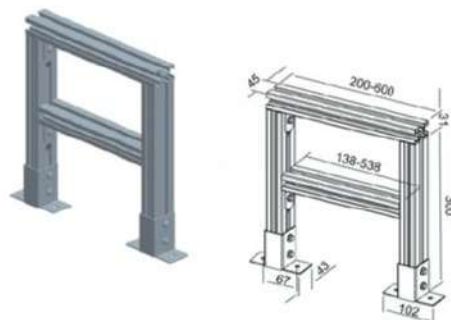
Include: V CLIP × 2,
550mm length Ω BAR × 1,
necessary bolt and nut

Feature: Fix on feet of raised floor, height adjustable



WMD-SUP-BTS

Support Bridge single or double wire
mesh duct on floor or top of cabinet



Need to customize the size according to customer's request

Description

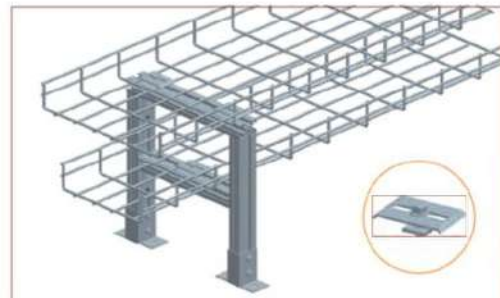
Apply to: On floor or cabinet top, install single or

double-layer of duct. Height adjustable

Fit for: Width of ducts from 100mm to 600mm,
height of BTS 300mm or customized

Include: WMD-HAN-THB x 2 DXC x 4 PRB x 3
L-type connector x 4

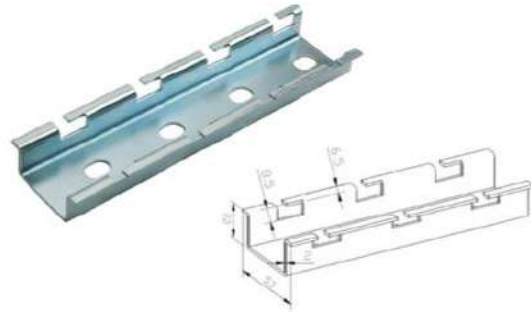
Feature: For multi-layers, height adjustable





WMD - HAN - SUP - ΩBR

Support 50mm BOTTOM wire mesh duct on floor or top of cabinet



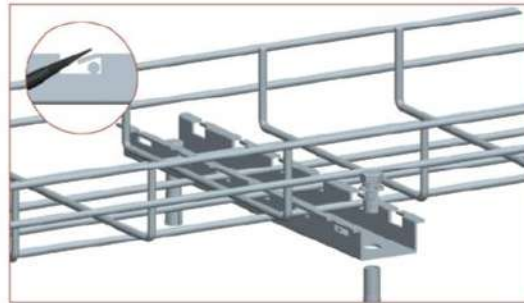
Description

Apply to: Install ducts on floor

Fit for: Diameter of wire from 3.5mm to 6.0mm

Include: 1 unit, (Anchor bolts and nuts are optional)

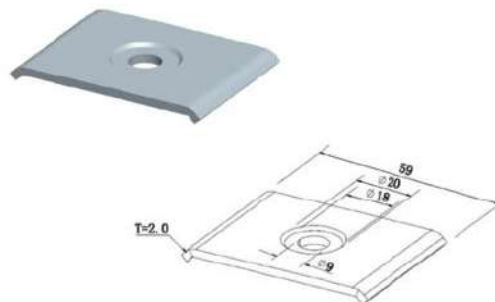
Feature: Most popular



Part Number	Description
WMD-HAN-SUP-ΩBR-100	Hanger/Support Ω bar wire mesh duct on floor
WMD-HAN-SUP-ΩBR-200	Hanger/Support Ω bar wire mesh duct on floor
WMD-HAN-SUP-ΩBR-300	Hanger/Support Ω bar wire mesh duct on floor
WMD-HAN-SUP-ΩBR-400	Hanger/Support Ω bar wire mesh duct on floor

WMD - SUP - CHD

Support Spider 100mm wire mesh duct on floor or top of cabinet



Description

Apply to: Fix the wire mesh cable duct on machine, floor directly

Fit for: Wire diameter from 4mm to 6.0mm

Include: WMD - SUP - CHD x 1

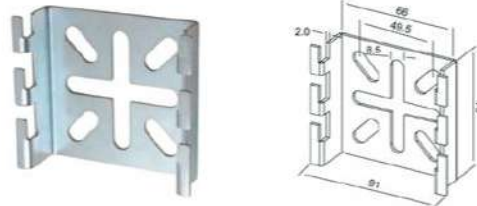
Feature: Easy to install, beautiful and practical





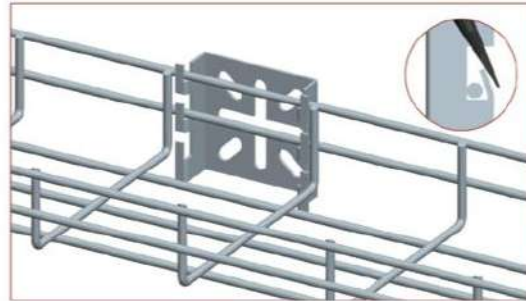
WMD - SUP - BRK - SPB

Bracket Spider wire mesh duct for wall



Description

Apply to: Support ducts on side wall
 Fit for: Diameter from 3.5mm to 6.0mm,
 width from 50mm to 200mm
 Include: 1 unit
 Feature: Easy installation and low cost



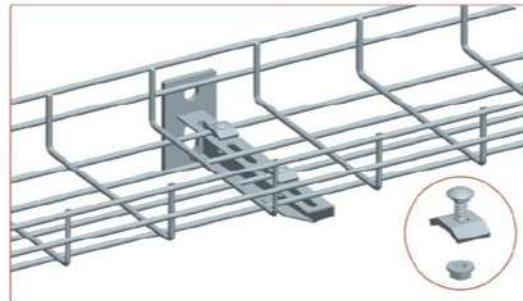
WMD - BRK - T

Bracket T 100mm wire mesh duct for wall



Description

Apply to: Wall mount of wire mesh cable duct
 Fit for: Wire diameter from 3.5mm to 6.0mm,
 width from 100mm to 300mm wire mesh
 cable ducts
 Include: TWH × 1, WMD-CON - 34 - top × 2,
 M6x20bolt × 2, M6Nut × 2

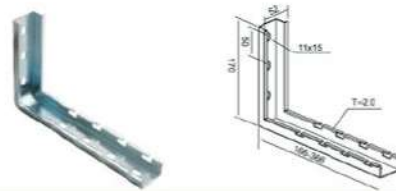


Part Number	Description
WMD-BRK-T10	Bracket T 100mm wire mesh duct for wall
WMD-BRK-T20	Bracket T 200mm wire mesh duct for wall
WMD-BRK-T30	Bracket T 300mm wire mesh duct for wall

WALL BRACKET

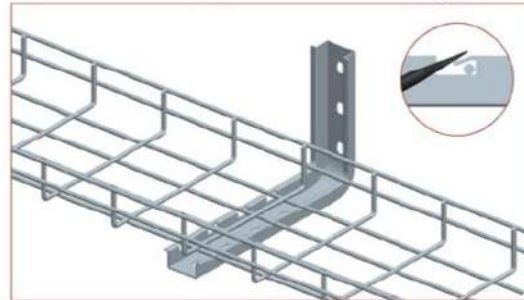
WMD - BRK - L30

Bracket L 100 mm wire mesh duct for wall



Description

Apply to: Support ducts on wall
 Fit for: Diameter from 3.5mm to 6.0mm,
 width from 100mm to 300mm
 Include: Unit x 1 (bolt and nut optional)
 Feature: Save space



Part Number	Description
WMD-BRK-L10	Bracket L 100 mm wire mesh duct for wall
WMD-BRK-L20	Bracket L 200mm wire mesh duct for wall
WMD-BRK-L30	Bracket L 300mm wire mesh duct for wall

WMD - BRK - CWB

Bracket Cantilever wire mesh duct



Description

Apply to: Support ducts on wall
 Fit for: Diameter from 3.5mm to 6.0mm,
 width from 300mm to 900mm
 Include: Unit x 1 (bolt and nut optional)
 Feature: Strong supporting, for trays in big width

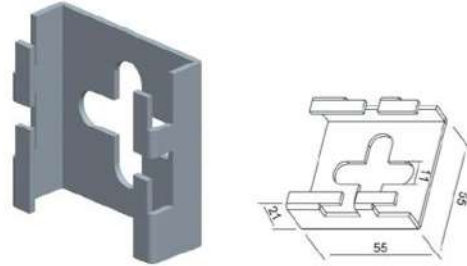


Part Number	Description
WMD-BRK-CWB400	Bracket Cantilever wire mesh duct W: 400mm for wall
WMD-BRK-CWB450	Bracket Cantilever wire mesh duct W: 450mm for wall
WMD-BRK-CWB500	Bracket Cantilever wire mesh duct W: 500mm for wall
WMD-BRK-CWB600	Bracket Cantilever wire mesh duct W: 600mm for wall



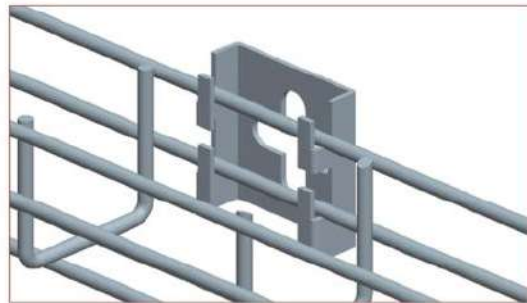
WMD - BRK - MLK

Bracket Mini Spider 50 to 200mm
 wire mesh duct for wall



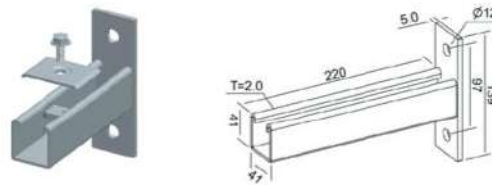
Description

Apply to: Support ducts on side wall
 Fit for: Diameter from 3.5mm to 6.0mm,
 width from 50mm to 200mm
 Include: 1 unit
 Feature: Easy installation and low cost



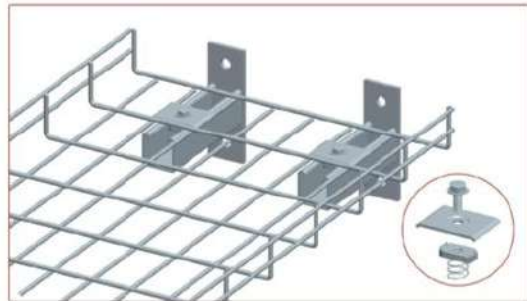
WMD - BRK - EWH

Bracket END wire mesh duct for wall







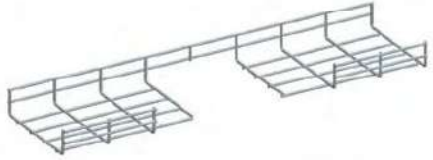

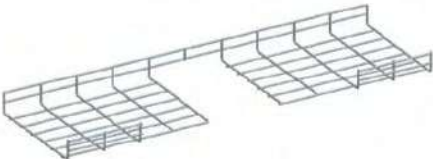

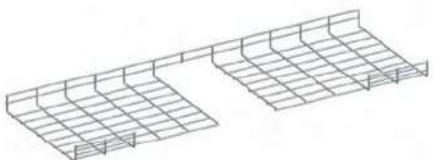
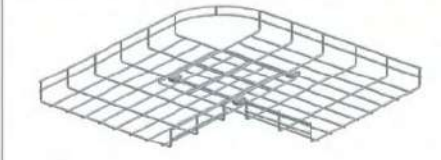
Description

Apply to: Wall mount bracket for supporting the end of
 wire mesh cable duct
 Fit for: All widths of wire mesh cable ducts.
 Include: SUPPORT × 1, M8 Spring Nut × 1,
 WMD-SUP-CHD × 1, M8 × 20Bolt × 1
 Feature: For all widths of wire mesh cable ducts

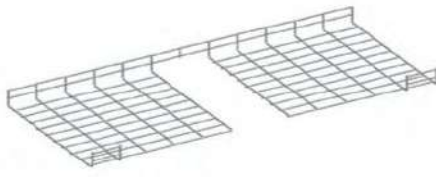
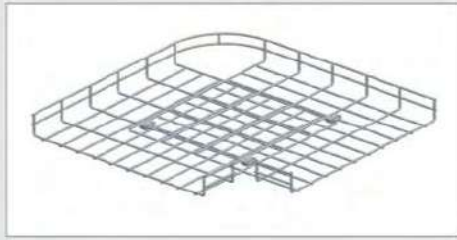
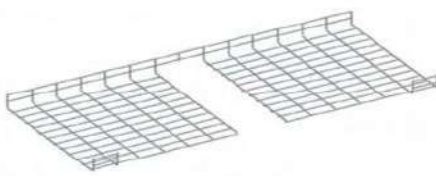
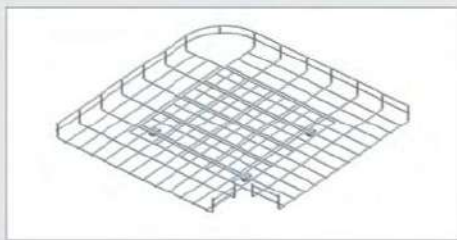
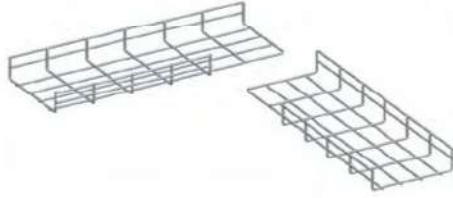

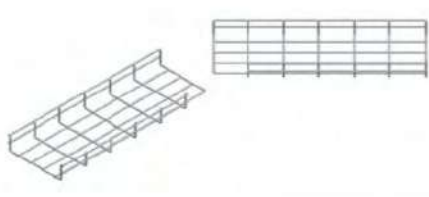
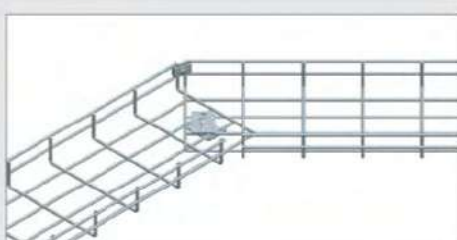

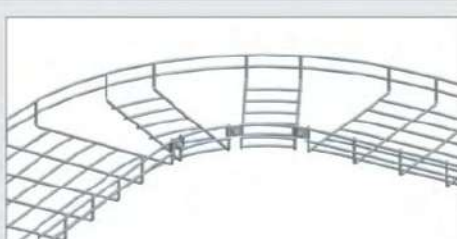




Horizontal Bends

Width	Cut	Bend
50mm		
100mm 150mm		
200mm		
300mm		
400mm 450mm		

Horizontal Bends

Width	Cut	Bend
500mm		
600mm		
Split joint		
Angle joint		
Radian bend		


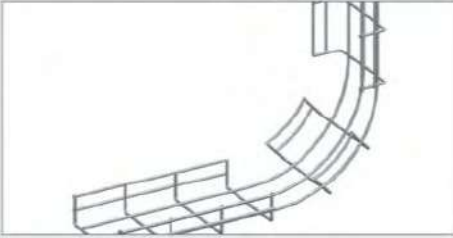

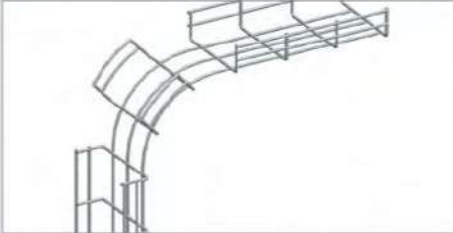

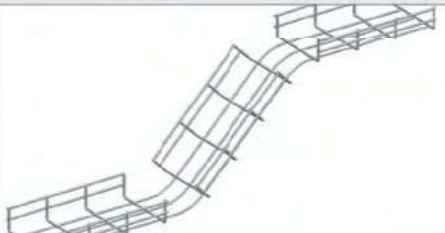
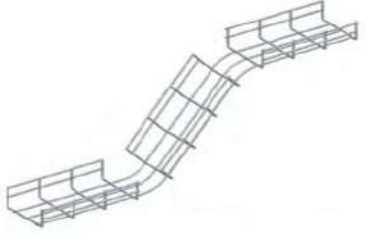

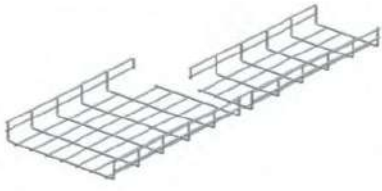
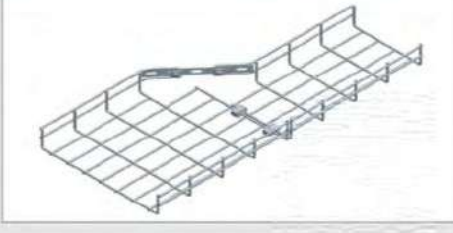


Assembly Guides

Width	Cut	Bend
Cross joint		
T Connector		
T Connector		
Cross joint		

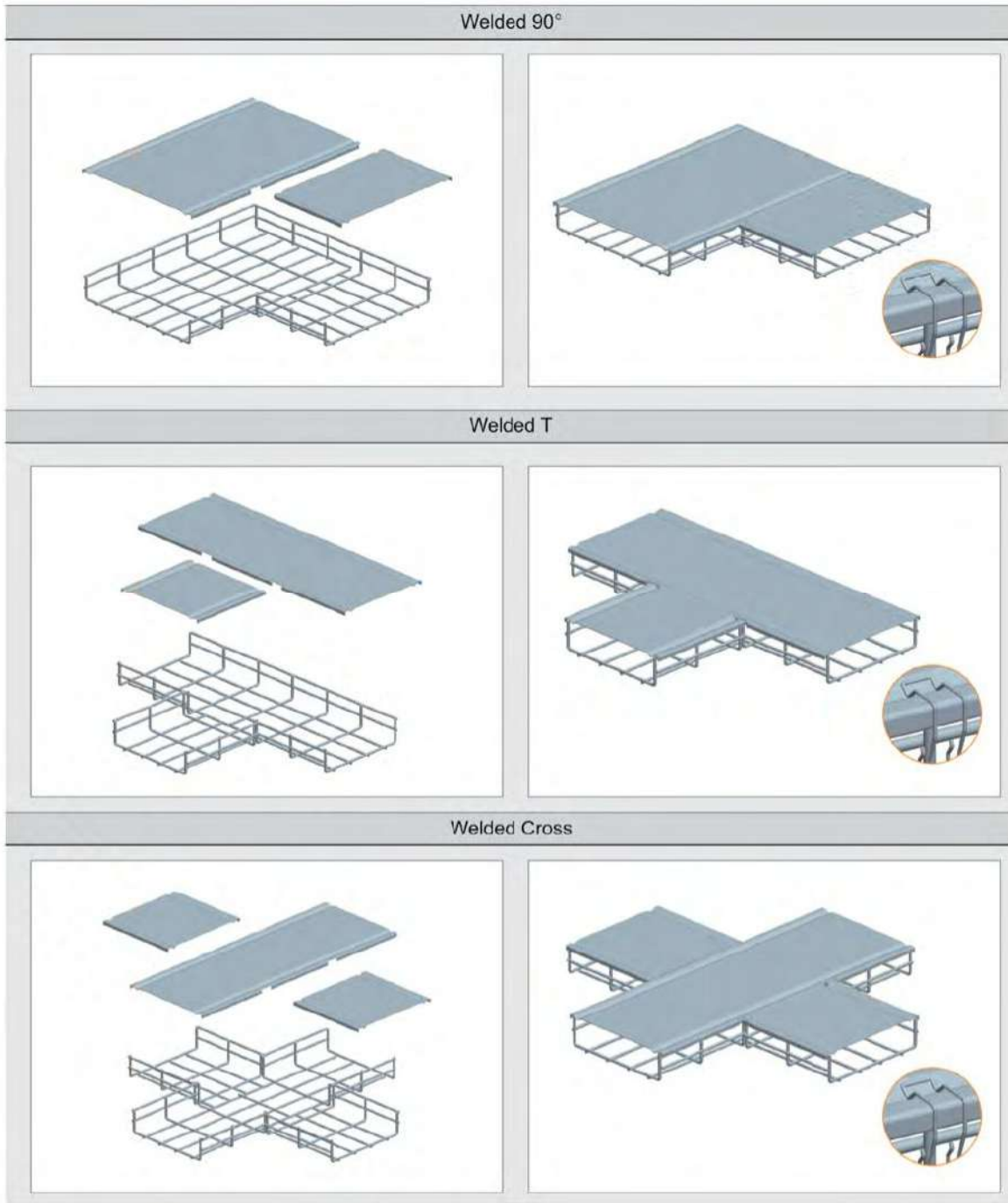
QUICK GUIDE

Assembly Guides

Width	Cut	Bend
Internal riser		
External riser		
Zigzag		
Zigzag with bar		
Reducer		

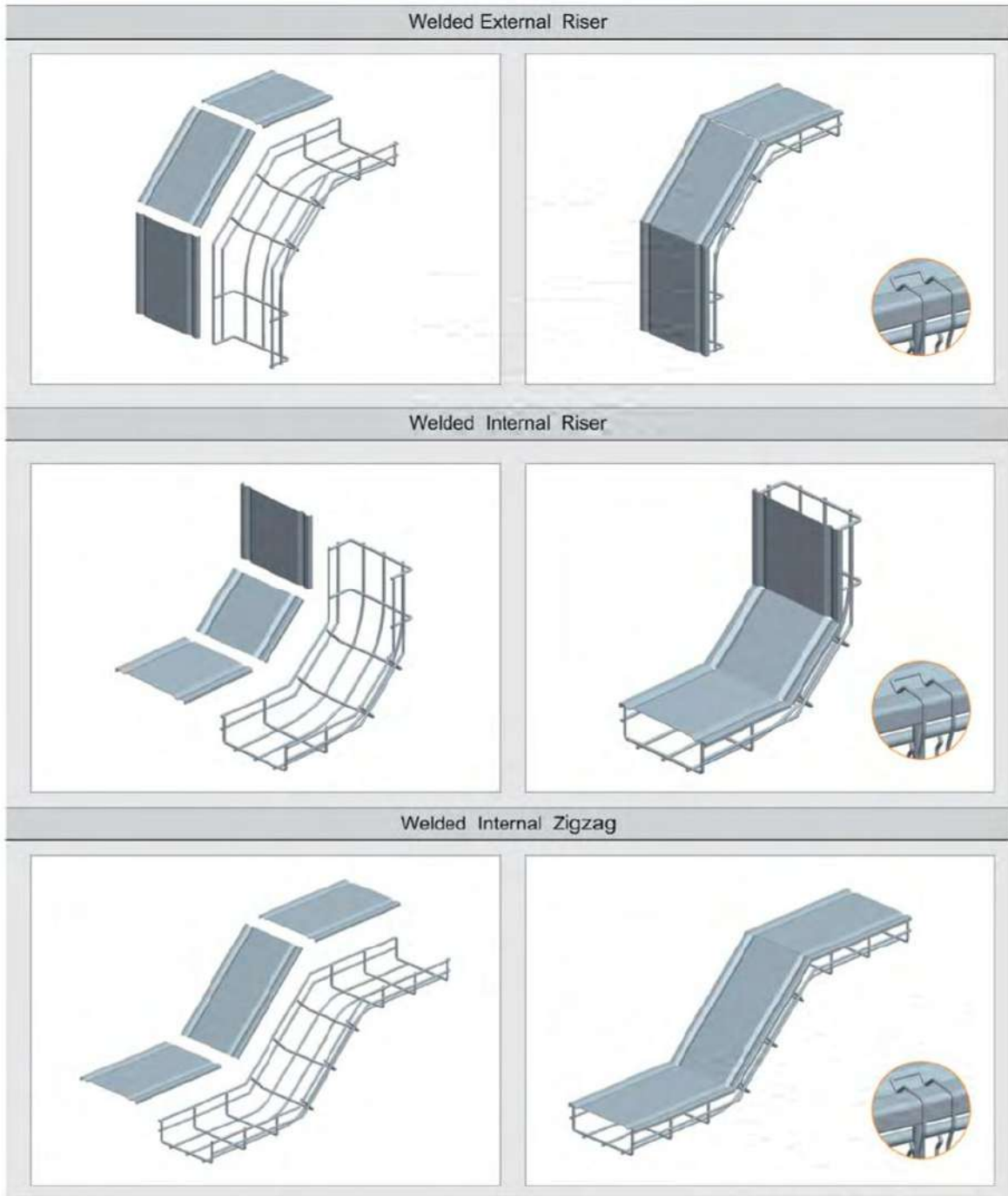


Welded Bends and Covers



QUICK GUIDE

Welded Bends and Covers





Welding Strength Test

Description:

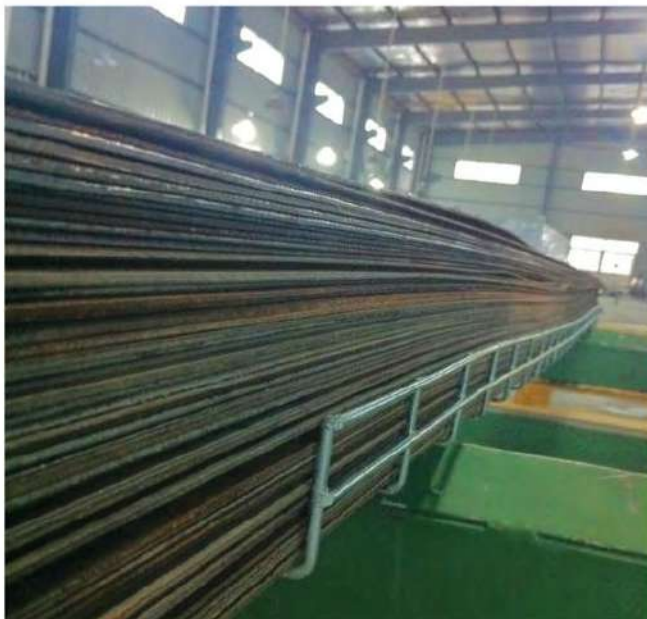
Test welded segment, cut off from tested wire mesh cable trays, with hydraulic press.

Test Condition:

23±2°C, 50±5% RH,
Hydraulic press speed: 5mm/min.
Result: Joint Strength ≥ 3750N



SWL (Safe Work Loading) Tests



Test standard:

BS EN 61537:2007 Cable
Management Clause 10.4

QUALITY CHECK

Thickness of finishing

Electro zinc: Thickness $\geq 12 \mu\text{m}$
HDG: Thickness $\geq 60 \mu\text{m}$
Powder coating: Thickness $\geq 60 \mu\text{m}$









Salt Spray Tests

Electro zinc plated products > 96 hrs.
HDG products > 720 hrs.
Powder coated products > 480 hrs.








CEILING HANGER

					
STRAIGHT SECTION WIRE MESH DUCT	Ω BAR	M BAR	C CHANNEL BAR	WIRE MESH CLIP FOR C CHANNEL BAR	HOOK
WMD25-50-3000-5.0-EZ	WMD-HAN-SUP-QBR-100	WMD-HAN-MBR-100	WMD-HAN-UHDC400	WMD-HAN-HDC	WMD-HAN-HKS
WMD25-75-3000-5.0-EZ	WMD-HAN-SUP-QBR-100	WMD-HAN-MBR-100	WMD-HAN-UHDC400	WMD-HAN-HDC	WMD-HAN-HKS
WMD25-100-3000-5.0-EZ	WMD-HAN-SUP-QBR-100	WMD-HAN-MBR-100	WMD-HAN-UHDC400	WMD-HAN-HDC	WMD-HAN-HKS
WMD25-150-3000-5.0-EZ	WMD-HAN-SUP-QBR-200	WMD-HAN-MBR-200	WMD-HAN-UHDC400	WMD-HAN-HDC	WMD-HAN-HKS
WMD25-200-3000-5.0-EZ	WMD-HAN-SUP-QBR-200	WMD-HAN-MBR-200	WMD-HAN-UHDC400	WMD-HAN-HDC	WMD-HAN-HKS
WMD25-300-3000-5.0-EZ	WMD-HAN-SUP-QBR-300	WMD-HAN-MBR-300	WMD-HAN-UHDC400	WMD-HAN-HDC	
WMD25-400-3000-5.0-EZ	WMD-HAN-SUP-QBR-400	WMD-HAN-MBR-400	WMD-HAN-UHDC400	WMD-HAN-HDC	
WMD50-50-3000-5.0-EZ	WMD-HAN-SUP-QBR-100	WMD-HAN-MBR-100	WMD-HAN-UHDC400	WMD-HAN-HDC	WMD-HAN-HKS
WMD50-75-3000-5.0-EZ	WMD-HAN-SUP-QBR-100	WMD-HAN-MBR-100	WMD-HAN-UHDC400	WMD-HAN-HDC	WMD-HAN-HKS
WMD50-100-3000-5.0-EZ	WMD-HAN-SUP-QBR-100	WMD-HAN-MBR-100	WMD-HAN-UHDC400	WMD-HAN-HDC	WMD-HAN-HKS
WMD50-150-3000-5.0-EZ	WMD-HAN-SUP-QBR-200	WMD-HAN-MBR-200	WMD-HAN-UHDC400	WMD-HAN-HDC	WMD-HAN-HKS
WMD50-200-3000-5.0-EZ	WMD-HAN-SUP-QBR-200	WMD-HAN-MBR-200	WMD-HAN-UHDC400	WMD-HAN-HDC	WMD-HAN-HKS
WMD50-300-3000-5.0-EZ	WMD-HAN-SUP-QBR-300	WMD-HAN-MBR-300	WMD-HAN-UHDC400	WMD-HAN-HDC	
WMD50-400-3000-5.0-EZ	WMD-HAN-SUP-QBR-400	WMD-HAN-MBR-400	WMD-HAN-UHDC400	WMD-HAN-HDC	
WMD50-450-3000-5.0-EZ			WMD-HAN-UHDC450	WMD-HAN-HDC	
WMD50-500-3000-5.0-EZ			WMD-HAN-UHDC500	WMD-HAN-HDC	
WMD50-600-3000-5.0-EZ			WMD-HAN-UHDC600	WMD-HAN-HDC	
WMD75-100-3000-5.0-EZ	WMD-HAN-SUP-QBR-100	WMD-HAN-MBR-100	WMD-HAN-UHDC400	WMD-HAN-HDC	WMD-HAN-HKS
WMD75-150-3000-5.0-EZ	WMD-HAN-SUP-QBR-200	WMD-HAN-MBR-200	WMD-HAN-UHDC400	WMD-HAN-HDC	WMD-HAN-HKS
WMD75-200-3000-5.0-EZ	WMD-HAN-SUP-QBR-200	WMD-HAN-MBR-200	WMD-HAN-UHDC400	WMD-HAN-HDC	WMD-HAN-HKS
WMD75-300-3000-5.0-EZ	WMD-HAN-SUP-QBR-300	WMD-HAN-MBR-300	WMD-HAN-UHDC400	WMD-HAN-HDC	
WMD75-400-3000-5.0-EZ	WMD-HAN-SUP-QBR-400	WMD-HAN-MBR-400	WMD-HAN-UHDC400	WMD-HAN-HDC	
WMD75-450-3000-5.0-EZ			WMD-HAN-UHDC450	WMD-HAN-HDC	
WMD75-500-3000-5.0-EZ			WMD-HAN-UHDC500	WMD-HAN-HDC	
WMD75-600-3000-5.0-EZ			WMD-HAN-UHDC600	WMD-HAN-HDC	
WMD100-100-3000-5.0-EZ	WMD-HAN-SUP-QBR-100	WMD-HAN-MBR-100	WMD-HAN-UHDC400	WMD-HAN-HDC	WMD-HAN-HKS
WMD100-150-3000-5.0-EZ	WMD-HAN-SUP-QBR-200	WMD-HAN-MBR-200	WMD-HAN-UHDC400	WMD-HAN-HDC	WMD-HAN-HKS
WMD100-200-3000-5.0-EZ	WMD-HAN-SUP-QBR-200	WMD-HAN-MBR-200	WMD-HAN-UHDC400	WMD-HAN-HDC	WMD-HAN-HKS
WMD100-300-3000-5.0-EZ	WMD-HAN-SUP-QBR-300	WMD-HAN-MBR-300	WMD-HAN-UHDC400	WMD-HAN-HDC	
WMD100-400-3000-5.0-EZ	WMD-HAN-SUP-QBR-400	WMD-HAN-MBR-400	WMD-HAN-UHDC400	WMD-HAN-HDC	
WMD100-450-3000-5.0-EZ			WMD-HAN-UHDC450	WMD-HAN-HDC	
WMD100-500-3000-5.0-EZ			WMD-HAN-UHDC500	WMD-HAN-HDC	
WMD100-600-3000-5.0-EZ			WMD-HAN-UHDC600	WMD-HAN-HDC	
WMD150-150-3000-5.0-EZ	WMD-HAN-SUP-QBR-200	WMD-HAN-MBR-200	WMD-HAN-UHDC400	WMD-HAN-HDC	WMD-HAN-HKS
WMD150-200-3000-5.0-EZ	WMD-HAN-SUP-QBR-200	WMD-HAN-MBR-200	WMD-HAN-UHDC400	WMD-HAN-HDC	WMD-HAN-HKS
WMD150-300-3000-5.0-EZ	WMD-HAN-SUP-QBR-300	WMD-HAN-MBR-300	WMD-HAN-UHDC400	WMD-HAN-HDC	
WMD150-400-3000-5.0-EZ	WMD-HAN-SUP-QBR-400	WMD-HAN-MBR-400	WMD-HAN-UHDC400	WMD-HAN-HDC	
WMD150-450-3000-5.0-EZ			WMD-HAN-UHDC450	WMD-HAN-HDC	
WMD150-500-3000-5.0-EZ			WMD-HAN-UHDC500	WMD-HAN-HDC	
WMD150-600-3000-5.0-EZ			WMD-HAN-UHDC600	WMD-HAN-HDC	
WMD200-200-3000-5.0-EZ	WMD-HAN-SUP-QBR-200	WMD-HAN-MBR-200	WMD-HAN-UHDC400	WMD-HAN-HDC	WMD-HAN-HKS
WMD200-300-3000-5.0-EZ	WMD-HAN-SUP-QBR-300	WMD-HAN-MBR-300	WMD-HAN-UHDC400	WMD-HAN-HDC	
WMD200-400-3000-5.0-EZ	WMD-HAN-SUP-QBR-400	WMD-HAN-MBR-400	WMD-HAN-UHDC400	WMD-HAN-HDC	
WMD200-450-3000-5.0-EZ			WMD-HAN-UHDC450	WMD-HAN-HDC	
WMD200-500-3000-5.0-EZ			WMD-HAN-UHDC500	WMD-HAN-HDC	
WMD200-600-3000-5.0-EZ			WMD-HAN-UHDC600	WMD-HAN-HDC	










CEILING HANGER

				
STRAIGHT SECTION WIRE MESH DUCT	W: 50mm HOOK	T HANGER	VERTICAL T HANGER	I-BEAM HANGER
WMD25-50-3000-5.0-EZ	WMD-HAN-THR	WMD-HAN-TCH	WMD-HAN-THB	WMD-HAN-CIB
WMD25-75-3000-5.0-EZ		WMD-HAN-TCH	WMD-HAN-THB	WMD-HAN-CIB
WMD25-100-3000-5.0-EZ		WMD-HAN-TCH	WMD-HAN-THB	WMD-HAN-CIB
WMD25-150-3000-5.0-EZ		WMD-HAN-TCH	WMD-HAN-THB	WMD-HAN-CIB
WMD25-200-3000-5.0-EZ		WMD-HAN-TCH	WMD-HAN-THB	WMD-HAN-CIB
WMD25-300-3000-5.0-EZ		WMD-HAN-TCH	WMD-HAN-THB	WMD-HAN-CIB
WMD25-400-3000-5.0-EZ		WMD-HAN-TCH	WMD-HAN-THB	WMD-HAN-CIB
WMD50-50-3000-5.0-EZ	WMD-HAN-THR	WMD-HAN-TCH	WMD-HAN-THB	WMD-HAN-CIB
WMD50-75-3000-5.0-EZ	WMD-HAN-THR	WMD-HAN-TCH	WMD-HAN-THB	WMD-HAN-CIB
WMD50-100-3000-5.0-EZ		WMD-HAN-TCH	WMD-HAN-THB	WMD-HAN-CIB
WMD50-150-3000-5.0-EZ		WMD-HAN-TCH	WMD-HAN-THB	WMD-HAN-CIB
WMD50-200-3000-5.0-EZ		WMD-HAN-TCH	WMD-HAN-THB	WMD-HAN-CIB
WMD50-300-3000-5.0-EZ		WMD-HAN-TCH	WMD-HAN-THB	WMD-HAN-CIB
WMD50-400-3000-5.0-EZ		WMD-HAN-TCH	WMD-HAN-THB	WMD-HAN-CIB
WMD50-450-3000-5.0-EZ		WMD-HAN-TCH	WMD-HAN-THB	WMD-HAN-CIB
WMD50-500-3000-5.0-EZ		WMD-HAN-TCH	WMD-HAN-THB	WMD-HAN-CIB
WMD50-600-3000-5.0-EZ		WMD-HAN-TCH	WMD-HAN-THB	WMD-HAN-CIB
WMD75-100-3000-5.0-EZ		WMD-HAN-TCH	WMD-HAN-THB	WMD-HAN-CIB
WMD75-150-3000-5.0-EZ		WMD-HAN-TCH	WMD-HAN-THB	WMD-HAN-CIB
WMD75-200-3000-5.0-EZ		WMD-HAN-TCH	WMD-HAN-THB	WMD-HAN-CIB
WMD75-300-3000-5.0-EZ		WMD-HAN-TCH	WMD-HAN-THB	WMD-HAN-CIB
WMD75-400-3000-5.0-EZ		WMD-HAN-TCH	WMD-HAN-THB	WMD-HAN-CIB
WMD75-450-3000-5.0-EZ		WMD-HAN-TCH	WMD-HAN-THB	WMD-HAN-CIB
WMD75-500-3000-5.0-EZ		WMD-HAN-TCH	WMD-HAN-THB	WMD-HAN-CIB
WMD75-600-3000-5.0-EZ		WMD-HAN-TCH	WMD-HAN-THB	WMD-HAN-CIB
WMD100-100-3000-5.0-EZ		WMD-HAN-TCH	WMD-HAN-THB	WMD-HAN-CIB
WMD100-150-3000-5.0-EZ		WMD-HAN-TCH	WMD-HAN-THB	WMD-HAN-CIB
WMD100-200-3000-5.0-EZ		WMD-HAN-TCH	WMD-HAN-THB	WMD-HAN-CIB
WMD100-300-3000-5.0-EZ		WMD-HAN-TCH	WMD-HAN-THB	WMD-HAN-CIB
WMD100-400-3000-5.0-EZ		WMD-HAN-TCH	WMD-HAN-THB	WMD-HAN-CIB
WMD100-450-3000-5.0-EZ		WMD-HAN-TCH	WMD-HAN-THB	WMD-HAN-CIB
WMD100-500-3000-5.0-EZ		WMD-HAN-TCH	WMD-HAN-THB	WMD-HAN-CIB
WMD100-600-3000-5.0-EZ		WMD-HAN-TCH	WMD-HAN-THB	WMD-HAN-CIB
WMD150-150-3000-5.0-EZ		WMD-HAN-TCH	WMD-HAN-THB	WMD-HAN-CIB
WMD150-200-3000-5.0-EZ		WMD-HAN-TCH	WMD-HAN-THB	WMD-HAN-CIB
WMD150-300-3000-5.0-EZ		WMD-HAN-TCH	WMD-HAN-THB	WMD-HAN-CIB
WMD150-400-3000-5.0-EZ		WMD-HAN-TCH	WMD-HAN-THB	WMD-HAN-CIB
WMD150-450-3000-5.0-EZ		WMD-HAN-TCH	WMD-HAN-THB	WMD-HAN-CIB
WMD150-500-3000-5.0-EZ		WMD-HAN-TCH	WMD-HAN-THB	WMD-HAN-CIB
WMD150-600-3000-5.0-EZ		WMD-HAN-TCH	WMD-HAN-THB	WMD-HAN-CIB
WMD200-200-3000-5.0-EZ		WMD-HAN-TCH	WMD-HAN-THB	WMD-HAN-CIB
WMD200-300-3000-5.0-EZ		WMD-HAN-TCH	WMD-HAN-THB	WMD-HAN-CIB
WMD200-400-3000-5.0-EZ		WMD-HAN-TCH	WMD-HAN-THB	WMD-HAN-CIB
WMD200-450-3000-5.0-EZ		WMD-HAN-TCH	WMD-HAN-THB	WMD-HAN-CIB
WMD200-500-3000-5.0-EZ		WMD-HAN-TCH	WMD-HAN-THB	WMD-HAN-CIB
WMD200-600-3000-5.0-EZ		WMD-HAN-TCH	WMD-HAN-THB	WMD-HAN-CIB



FLOOR SUPPORT

						
STRAIGHT SECTION WIRE MESH DUCT	END BRACKET	SPIDER SUPPORT/BRACKET	L BRACKET	CANTILEVER BRACKET	MINI SPIDER	T BRACKET
WMD25-50-3000-5.0-EZ	WMD-BRK-EWH	WMD-SUP-BRK-SPB	WMD-BRK-L10	WMD-BRK-CWB400	WMD-BRK-MLK	WMD-BRK-T10
WMD25-75-3000-5.0-EZ	WMD-BRK-EWH	WMD-SUP-BRK-SPB	WMD-BRK-L10	WMD-BRK-CWB400	WMD-BRK-MLK	WMD-BRK-T10
WMD25-100-3000-5.0-EZ	WMD-BRK-EWH	WMD-SUP-BRK-SPB	WMD-BRK-L10	WMD-BRK-CWB400	WMD-BRK-MLK	WMD-BRK-T10
WMD25-150-3000-5.0-EZ	WMD-BRK-EWH	WMD-SUP-BRK-SPB	WMD-BRK-L20	WMD-BRK-CWB400	WMD-BRK-MLK	WMD-BRK-T20
WMD25-200-3000-5.0-EZ	WMD-BRK-EWH	WMD-SUP-BRK-SPB	WMD-BRK-L20	WMD-BRK-CWB400	WMD-BRK-MLK	WMD-BRK-T20
WMD25-300-3000-5.0-EZ	WMD-BRK-EWH		WMD-BRK-L30	WMD-BRK-CWB400		WMD-BRK-T30
WMD25-400-3000-5.0-EZ	WMD-BRK-EWH			WMD-BRK-CWB400		
WMD50-50-3000-5.0-EZ	WMD-BRK-EWH	WMD-SUP-BRK-SPB	WMD-BRK-L10	WMD-BRK-CWB400	WMD-BRK-MLK	WMD-BRK-T10
WMD50-50-3000-5.0-EZ	WMD-BRK-EWH	WMD-SUP-BRK-SPB	WMD-BRK-L10	WMD-BRK-CWB400	WMD-BRK-MLK	WMD-BRK-T10
WMD50-75-3000-5.0-EZ	WMD-BRK-EWH	WMD-SUP-BRK-SPB	WMD-BRK-L10	WMD-BRK-CWB400	WMD-BRK-MLK	WMD-BRK-T10
WMD50-100-3000-5.0-EZ	WMD-BRK-EWH	WMD-SUP-BRK-SPB	WMD-BRK-L10	WMD-BRK-CWB400	WMD-BRK-MLK	WMD-BRK-T10
WMD50-150-3000-5.0-EZ	WMD-BRK-EWH	WMD-SUP-BRK-SPB	WMD-BRK-L20	WMD-BRK-CWB400	WMD-BRK-MLK	WMD-BRK-T20
WMD50-200-3000-5.0-EZ	WMD-BRK-EWH	WMD-SUP-BRK-SPB	WMD-BRK-L20	WMD-BRK-CWB400	WMD-BRK-MLK	WMD-BRK-T20
WMD50-300-3000-5.0-EZ	WMD-BRK-EWH		WMD-BRK-L30	WMD-BRK-CWB400		WMD-BRK-T30
WMD50-400-3000-5.0-EZ	WMD-BRK-EWH			WMD-BRK-CWB400		
WMD50-450-3000-5.0-EZ	WMD-BRK-EWH			WMD-BRK-CWB450		
WMD50-500-3000-5.0-EZ	WMD-BRK-EWH			WMD-BRK-CWB500		
WMD50-600-3000-5.0-EZ	WMD-BRK-EWH			WMD-BRK-CWB600		
WMD75-100-3000-5.0-EZ	WMD-BRK-EWH	WMD-SUP-BRK-SPB	WMD-BRK-L10	WMD-BRK-CWB400	WMD-BRK-MLK	WMD-BRK-T10
WMD75-150-3000-5.0-EZ	WMD-BRK-EWH	WMD-SUP-BRK-SPB	WMD-BRK-L20	WMD-BRK-CWB400	WMD-BRK-MLK	WMD-BRK-T20
WMD75-200-3000-5.0-EZ	WMD-BRK-EWH	WMD-SUP-BRK-SPB	WMD-BRK-L20	WMD-BRK-CWB400	WMD-BRK-MLK	WMD-BRK-T20
WMD75-300-3000-5.0-EZ	WMD-BRK-EWH		WMD-BRK-L30	WMD-BRK-CWB400		WMD-BRK-T30
WMD75-400-3000-5.0-EZ	WMD-BRK-EWH			WMD-BRK-CWB400		
WMD75-450-3000-5.0-EZ	WMD-BRK-EWH			WMD-BRK-CWB450		
WMD75-500-3000-5.0-EZ	WMD-BRK-EWH			WMD-BRK-CWB500		
WMD75-600-3000-5.0-EZ	WMD-BRK-EWH			WMD-BRK-CWB600		
WMD100-100-3000-5.0-EZ	WMD-BRK-EWH	WMD-SUP-BRK-SPB	WMD-BRK-L10	WMD-BRK-CWB400	WMD-BRK-MLK	WMD-BRK-T10
WMD100-150-3000-5.0-EZ	WMD-BRK-EWH	WMD-SUP-BRK-SPB	WMD-BRK-L20	WMD-BRK-CWB400	WMD-BRK-MLK	WMD-BRK-T20
WMD100-200-3000-5.0-EZ	WMD-BRK-EWH	WMD-SUP-BRK-SPB	WMD-BRK-L20	WMD-BRK-CWB400	WMD-BRK-MLK	WMD-BRK-T20
WMD100-300-3000-5.0-EZ	WMD-BRK-EWH		WMD-BRK-L30	WMD-BRK-CWB400		WMD-BRK-T30
WMD100-400-3000-5.0-EZ	WMD-BRK-EWH			WMD-BRK-CWB400		
WMD100-450-3000-5.0-EZ	WMD-BRK-EWH			WMD-BRK-CWB450		
WMD100-500-3000-5.0-EZ	WMD-BRK-EWH			WMD-BRK-CWB500		
WMD100-600-3000-5.0-EZ	WMD-BRK-EWH			WMD-BRK-CWB600		
WMD150-150-3000-5.0-EZ	WMD-BRK-EWH	WMD-SUP-BRK-SPB	WMD-BRK-L20	WMD-BRK-CWB400	WMD-BRK-MLK	WMD-BRK-T20
WMD150-200-3000-5.0-EZ	WMD-BRK-EWH	WMD-SUP-BRK-SPB	WMD-BRK-L20	WMD-BRK-CWB400	WMD-BRK-MLK	WMD-BRK-T20
WMD150-300-3000-5.0-EZ	WMD-BRK-EWH		WMD-BRK-L30	WMD-BRK-CWB400		WMD-BRK-T30
WMD150-400-3000-5.0-EZ	WMD-BRK-EWH			WMD-BRK-CWB400		
WMD150-450-3000-5.0-EZ	WMD-BRK-EWH			WMD-BRK-CWB450		
WMD150-500-3000-5.0-EZ	WMD-BRK-EWH			WMD-BRK-CWB500		
WMD150-600-3000-5.0-EZ	WMD-BRK-EWH			WMD-BRK-CWB600		
WMD200-200-3000-5.0-EZ	WMD-BRK-EWH	WMD-SUP-BRK-SPB	WMD-BRK-L20	WMD-BRK-CWB400	WMD-BRK-MLK	WMD-BRK-T20
WMD200-300-3000-5.0-EZ	WMD-BRK-EWH		WMD-BRK-L30	WMD-BRK-CWB400		WMD-BRK-T30
WMD200-400-3000-5.0-EZ	WMD-BRK-EWH			WMD-BRK-CWB400		
WMD200-450-3000-5.0-EZ	WMD-BRK-EWH			WMD-BRK-CWB450		
WMD200-500-3000-5.0-EZ	WMD-BRK-EWH			WMD-BRK-CWB500		
WMD200-600-3000-5.0-EZ	WMD-BRK-EWH			WMD-BRK-CWB600		