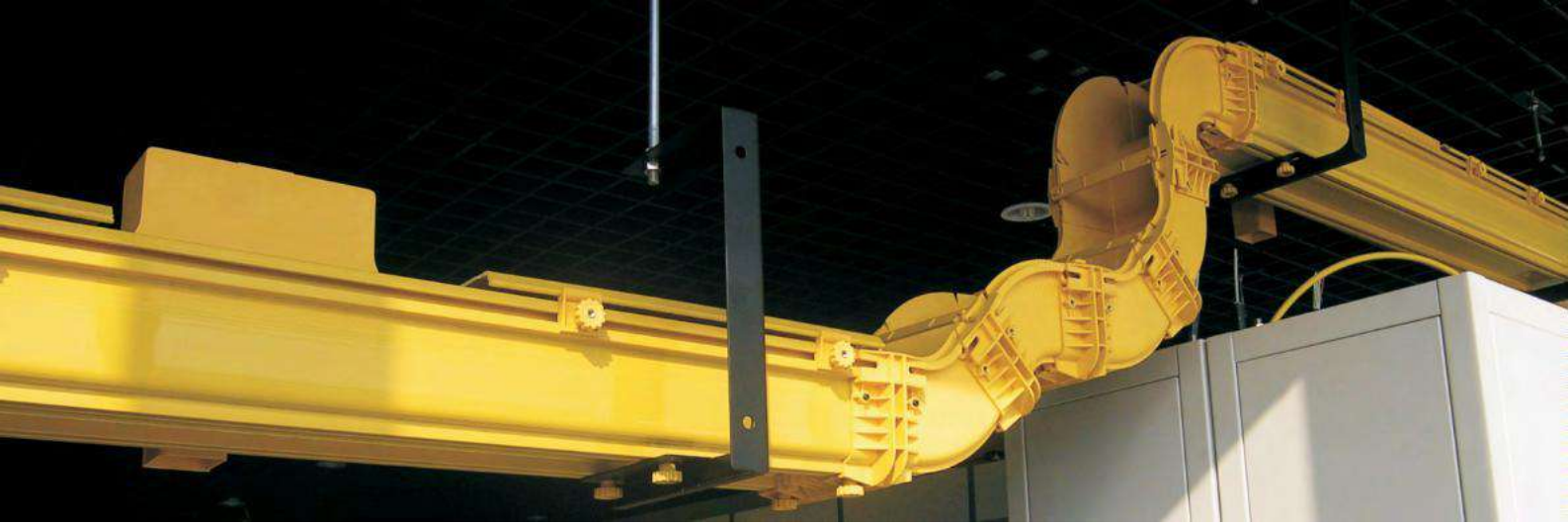




Catalogue of Fiber Optic Ducting System



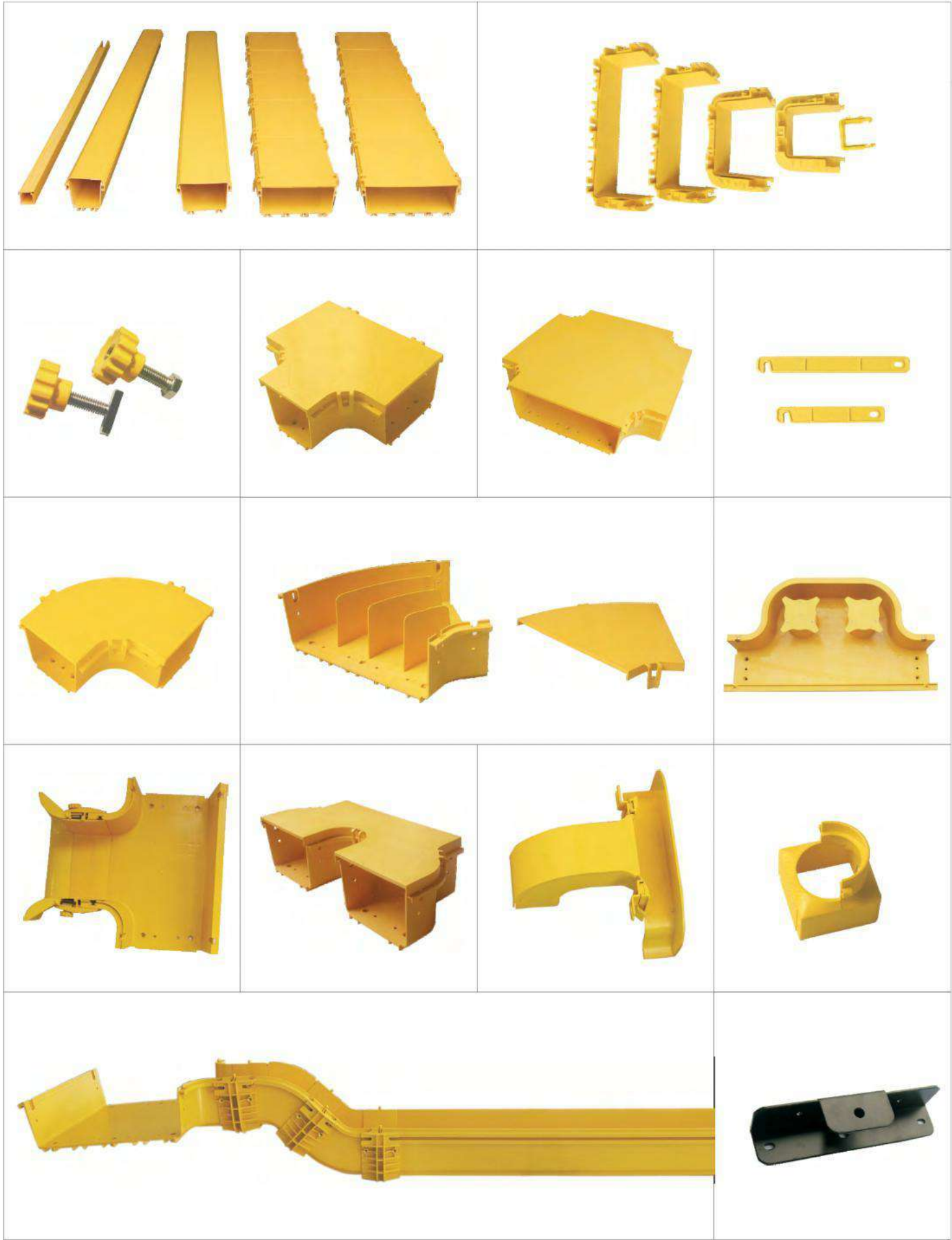


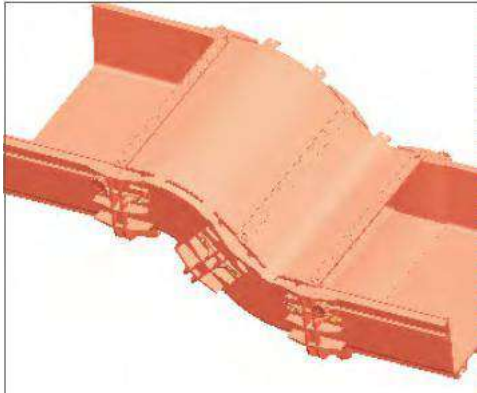
OPTICAL CABLE DUCT INTRODUCTION

Brief Introduction:

- Optical cable duct is a system designed to protect and route fiber optic patch cords, cable assemblies to and from guide closures, ODF and other terminal devices.
- Optical cable duct offers ideal solutions for optical raceway requirements and application with pleasing appearance and easy maintenance.
- Flame-retardant materials with flame rate of V0.
- Tool-less products boast easy and quick installation including snap-on cover, hinged cover option as well as quick exits.
- Sizes from 2" x 2" to 4" x 12"







P6~18 - Size

2" (2"x2" 50mm x 50mm).....	6
4" (4"x4" 100mm x 100mm).....	8
6" (4"x6" 100mm x 150mm).....	11
10" (4"x10" 100mm x 250mm).....	14
12" (4"x12" 100mm x 300mm).....	16



P22~23

Hybrid Coupler / Adapter.....	20
-------------------------------	----



P24~30 - Exit Drop Options

2" Quick Exit with Flex Tube / Trumpet Flare Drop 1.....	24
2" Quick Exit with Flex Tube / Trumpet Flare Drop 2.....	25
2" Fixed Exit with Flex Tube / Trumpet Flare Drop.....	26
4" Quick Exit with Flex Tube / Trumpet Flare Drop 1.....	27
4" Quick Exit with Flex Tube / Trumpet Flare Drop 2.....	28
4" Fixed Exit with Flex Tube / Trumpet Flare Drop.....	29
Downspout with Trumpet Flare / Trumpet Flare Drop.....	30

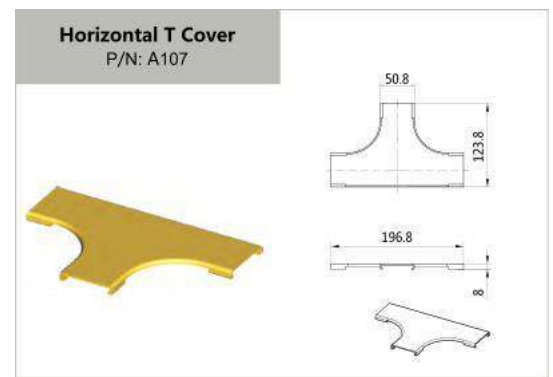
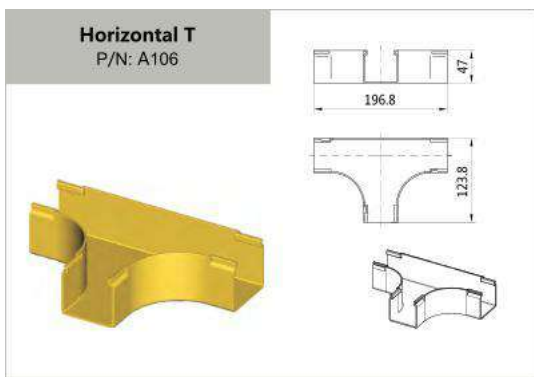
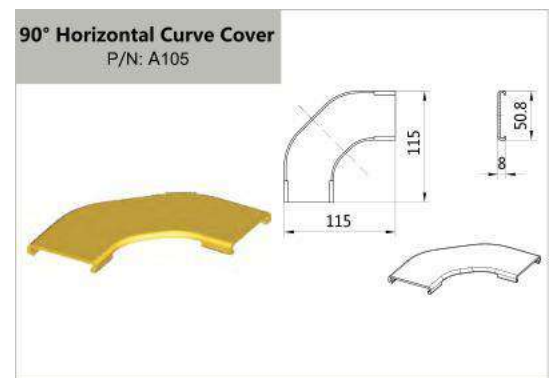
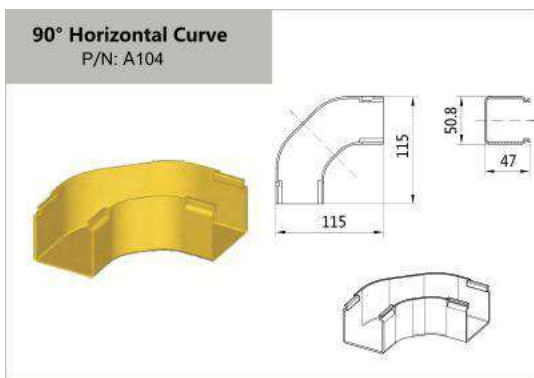
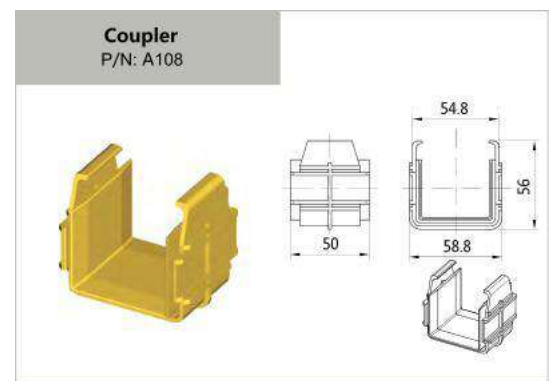
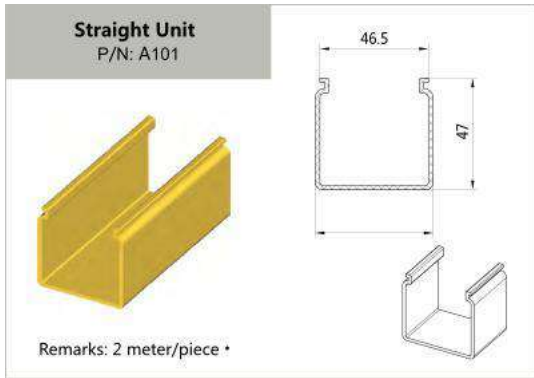


P20~21 - Installation / Supporting Systems

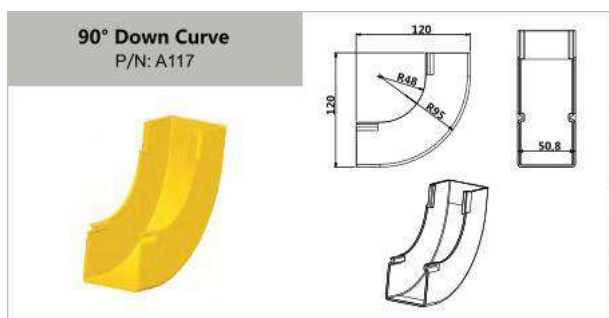
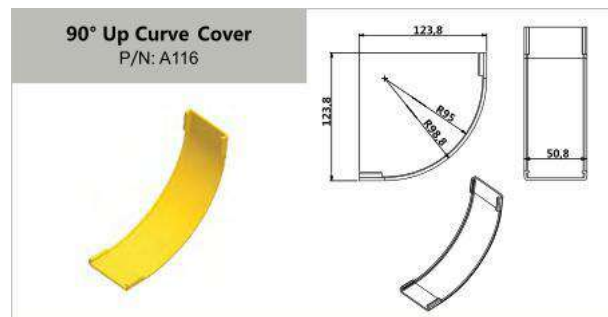
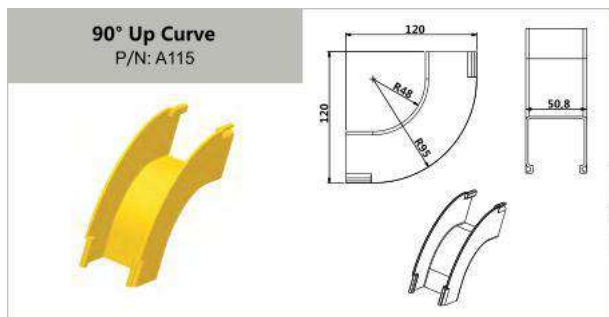
Anchor Support.....	34
Trapeze Support	35
Top of Rack / Cabinet Support	35
Auxiliary Framing support	36
Wall Support	36

OPTICAL CABLE DUCT

2" (2"×2" 50MM × 50MM)



OPTICAL CABLE DUCT 2" (2"×2" 50MM × 50MM)



* Other length is available upon request.

OPTICAL CABLE DUCT

4" (4"×4" 100MM × 100MM)



Straight Unit
P/N: A203

Remarks: 2 meter/piece

Straight Unit Cover Kit
P/N: T202

① A202 4" Straight Section 2 meter
 ② A303 Hinge 5 pcs
 ③ A301 Fixing knob 5 pcs
 ④ A321 Bolt 5 pcs

End Cap
P/N: A214

Remarks: Metal, used for straight unit.

Bolt and Fixing Knob not included

Special Part End Cap
P/N: A216

Remarks: Metal, used for special part.

Bolt and Fixing Knob not included

Coupler Kit A
P/N: T2041

① A204 4" Connector 1
 ② A301 Fixing Knob 8
 ③ A321 Bolt 8

Remarks: Straight Unit Coupler

Coupler Kit B
P/N: T2042

① A204 4" Connector 1
 ② A301 Fixing knob 8
 ③ A321 Bolt 4
 ④ GB5780-86 M6*25 Hexagonal Bolt 4
 ⑤ GB79-85M6*14 Inner Hexagon Screw 3
 ⑥ A201 4" Pull Rod 1

Remarks: Straight Unit to Special Part Coupler

Coupler Kit S
P/N: T2042 S

① A204 4" Connector 1
 ② A301 Fixing knob 8
 ③ GB5780-86 M6*25 Hexagonal Bolt 8
 ④ GB79-85M6*14 Inner Hexagon Screw 6
 ⑤ A201 4" Pull Rod 1

Remarks: Special Part to Special Part Coupler

Vertical Cover Kit 4"
P/N: T203

① P303 Hinge for pull rod 2
 ② A301 Fixing Knob 2
 ③ A321 Bolt 2
 ④ A201 4" Pull Rod 1

90° Horizontal Curve
P/N: A211

90° Horizontal Curve Cover
P/N: A212

* Other length is available upon request.

OPTICAL CABLE DUCT

4" (4"×4" 100MM × 100MM)



Storage Duct
P/N: T231

Storage Duct Cover
P/N: A232

Horizontal T
P/N: A205

Horizontal T Cover
P/N: A206

45° Down Curve
P/N: A208

45° Down Curve Cover Kit
P/N: T220

Remarks: Metal material.

① A220 4" 45° Down Curve Cover	1
② A215 Fixing unit	4
③ GB818-85 M4*10 Cross Recessed Pan Head Screw	4

45° Up Curve
P/N: A207

45° Up Curve Cover Kit
P/N: T219

Remarks: Metal material.

① A219 4" 45° Up Curve Cover	1
② A215 Fixing unit	2
③ GB818-85 M4*10 Cross Recessed Pan Head Screw	2

90° Down Curve
P/N: A209

90° Down Curve Cover Kit
P/N: T221

Remarks: Metal material.

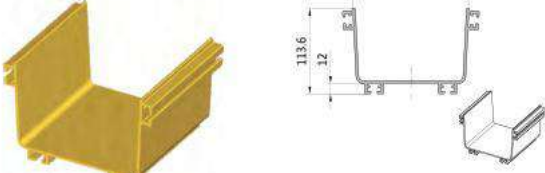
① A221 4" 90° Down Curve Cover	1
② A215 Fixing unit	4
③ GB818-85 M4*10 Cross Recessed Pan Head Screw	4

OPTICAL CABLE DUCT

6" (4"×6" 100MM × 150MM)



Straight Unit
P/N: A319



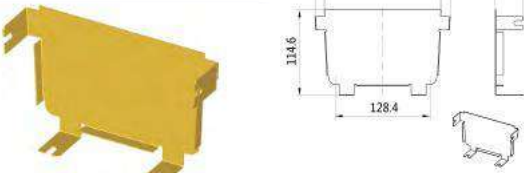
Remarks: 2 meter/piece *

Straight Unit Cover Kit
P/N: T302



① A302 6" Straight Section Cover 2 meter
② A303 Hinge 5 pcs
③ A301 Fixing knob 5 pcs
④ A321 Bolt 5 pcs

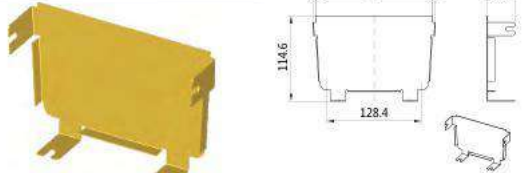
End Cap
P/N: A322



Remarks: Metal, used for straight unit.

Bolt and Fixing Knob not included


Special Part End Cap
P/N: A325



Remarks: Metal, used for special part.

Bolt and Fixing Knob not included


Coupler Kit A
P/N: T3161



① A316 6" Coupler 1
② A301 Fixing Knob 8
③ A321 Bolt 8

Remarks: Straight Unit Coupler

Coupler Kit B
P/N: T3162



① A316 6" Coupler 1
② A301 Fixing Knob 8
③ A321 Bolt 4
④ GB5780-86 M6*25 Hexagonal Bolt 4
⑤ GB79-85M6*14 Inner Hexagon Screw 4
⑥ A304 6" Pull Rod 1

Remarks: Straight Unit to Special Part Coupler

Coupler Kit S
P/N: T3162 S



① A316 6" Connector 1
② A301 Fixing Knob 8
③ GB5780-86 M6*25 Hexagonal Bolt 8
④ GB79-85M6*14 Inner Hexagon Screw 8
⑤ A304 6" Pull Rod 1


Remarks: Special Part to Coupler

Vertical Cover Kit
P/N: T303

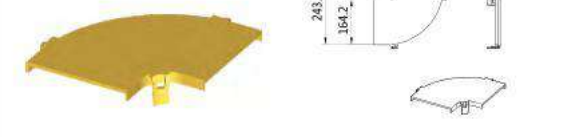


① P303 Hinge for pull rod 2
② A301 Fixing Knob 2
③ A321 Bolt 2
④ A304 6" Pull Rod 1

90° Horizontal Curve
P/N: A315



90° Horizontal Curve Cover
P/N: A318



* Other length is available upon request.

OPTICAL CABLE DUCT

6" (4"×6" 100MM × 150MM)



Horizontal T
P/N: A317

Horizontal T Cover
P/N: A314

Horizontal Cross
P/N: A327

Horizontal Cross Cover
P/N: A328

45° Down Curve
P/N: A306

45° Down Curve Cover Kit
P/N: T335

Expand Size

① A335 6" 45° Down Curve Cover 1
 ② A215 Fixing unit 4
 ③ GB818-85 M4*10 Cross Recessed Pan Head Screw 4

Remarks: Metal material.

45° Up Curve
P/N: A307

45° Up Curve Cover Kit
P/N: T334

Expand Size

① A334 6" 45° Up Curve Cover 1
 ② A215 Fixing unit 2
 ③ GB818-85 M4*10 Cross Recessed Pan Head Screw 2

Remarks: Metal material.

90° Down Curve
P/N: A305

90° Down Curve Cover Kit
P/N: T336

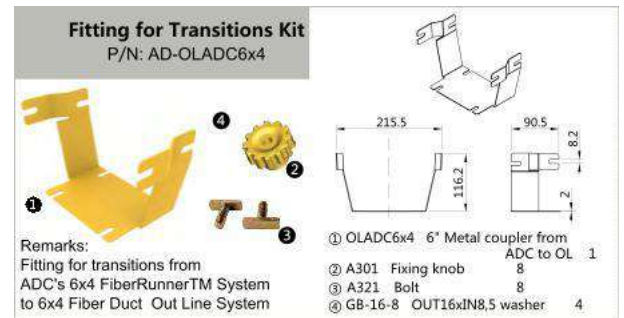
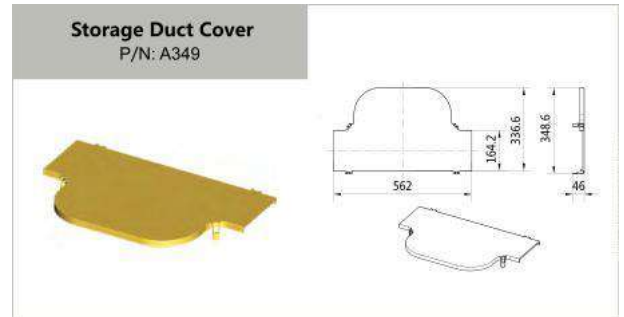
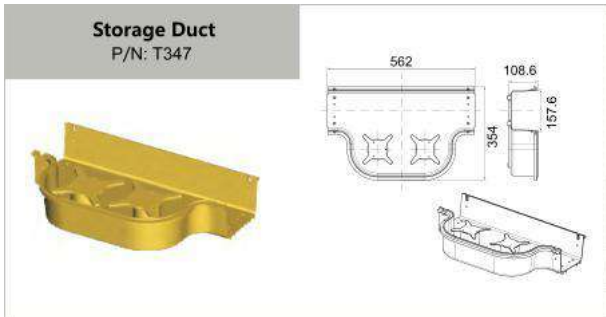
Expand Size

① A336 6" 90° Down Curve Cover 1
 ② A215 Fixing unit 4
 ③ GB818-85 M4*10 Cross Recessed Pan Head Screw 4

Remarks: Metal material

OPTICAL CABLE DUCT

6" (4"x6" 100MM x 150MM)



OPTICAL CABLE DUCT

10" (4"×10" 100MM × 250MM)



Straight Unit
P/N: A501

Remarks: 2 meter/piece •

Straight Unit Cover
P/N: A510

Remarks: 40 cm/pc, Snap-on Cover.

Coupler Kit A
P/N: T5021

Remarks: Straight Unit Coupler

Coupler Kit B
P/N: T5022

Remarks: Straight Unit to Special Part Coupler

Coupler Kit S
P/N: T5022 S

Remarks: Special Part to Special Part Coupler

90° Horizontal Curve
P/N: A513

90° Horizontal Curve Cover
P/N: A512

Horizontal T
P/N: A504

Horizontal T Cover
P/N: A507

* Other length is available upon request.

OPTICAL CABLE DUCT

10" (4"×10" 100MM × 250MM)



Horizontal Cross
P/N: A503

Horizontal Cross Cover
P/N: A506

End Cap
P/N: A522

Remarks: Metal,
used for straight unit.

Bolt and Fixing Knob not included

Special Part End Cap
P/N: A529

Remarks: Metal,
used for special part.

Bolt and Fixing Knob not included

OPTICAL CABLE DUCT

12" (4"×12" 100MM × 300MM)



Straight Unit
P/N: A403

Remarks: 2 meter/piece *

Straight Unit Cover
P/N: A422

Remarks: 40 cm/pc, Snap-on Cover

Coupler Kit A
P/N: T4281

Remarks: Straight Unit Coupler

① A428 12" Coupler	1
② A301 Fixing knob	10
③ A321 Bolt	10

Coupler Kit B
P/N: T4282

Remarks: Straight Unit to Special Part Coupler

① A428 12" Coupler	1
② A301 Fixing knob	10
③ A321 Bolt	5
④ GB5780-86 M6*25 Hexagonal Bolt	5
⑤ GB79-85M6*14 Inner Hexagon Screw	6
⑥ A401 12" Pull Rod	1

Coupler Kit S
P/N: T4282 S

Remarks: Special Part to Special Part Coupler

① A428 12" Connector	1
② A301 Fixing knob	10
③ GB5780-86 M6*25 Hexagonal Bolt	10
④ GB79-85M6*14 Inner Hexagon Screw	12
⑤ A401 12" Pull Rod	1

End Cap
P/N: A431

Remarks: Metal, used for straight unit.

Bolt and Fixing Knob not included

Special Part End Cap
P/N: A434

Remarks: Metal, used for special part.

Bolt and Fixing Knob not included

90° Horizontal Curve
P/N: A429

90° Horizontal Curve Cover
P/N: A425

* Other length is available upon request.

OPTICAL CABLE DUCT

12" (4"×12" 100MM × 300MM)



Horizontal T
P/N: A417

Horizontal T Cover
P/N: A418

Horizontal Cross
P/N: A407

Horizontal Cross Cover
P/N: A420

45° Horizontal Curve
P/N: A427

45° Horizontal Curve Cover
P/N: A426

45° Down Curve
P/N: A405

45° Down Curve Cover Kit
P/N: T438

① A438 12" 45° Down Curve Cover	1
② A215 Fixing unit	4
③ GB818-85 M4*10 Cross Recessed Pan Head Screw	4

Remarks: Metal material.

45° Up Curve
P/N: A406

45° Up Curve Cover Kit
P/N: T437

① A437 12" 45° Up Curve Cover	1
② A215 Fixing unit	2
③ GB818-85 M4*10 Cross Recessed Pan Head Screw	2

Remarks: Metal material.

OPTICAL CABLE DUCT

12" (4"×12" 100MM × 300MM)



90° Down Curve
P/N : A404

90° Down Curve Cover Kit
P/N: T439

Remarks: Metal material.

① A439 12" 90° Down Curve Cover	1
② A215 Fixing unit	4
③ GB818-85 M4*10 Cross Recessed Pan Head Screw	4

Fitting for Transitions Kit
P/N: AD-OLPAN12x4

Remarks:
Fitting for transitions from PAN's 12x4 FiberRunner™ System to 12x4 Fiber Duct Out Line System

① OLADC12x4 12" Metal coupler from ADC to OL	1
② A301 Fixing knob	10
③ A321 Bolt	8
④ GB5780-86 M6*25 Hexagonal Bolt	2

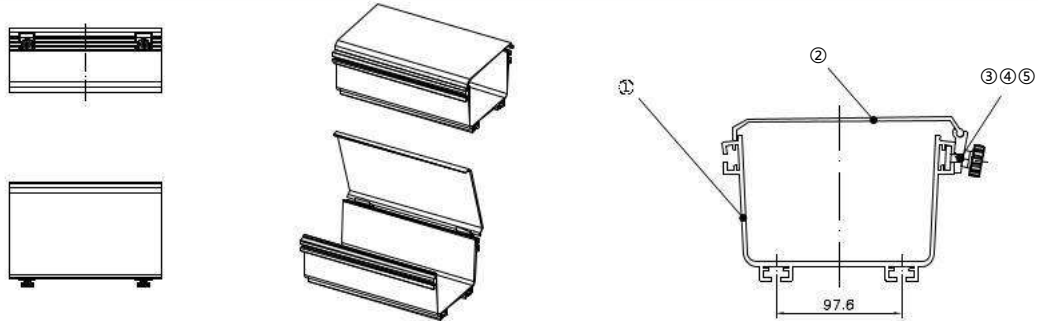
Fitting for Transitions Kit
P/N: AD-OLADC12x4

Remarks:
Fitting for transitions from ADC's 12x4 FiberRunner™ System to 12x4 Fiber Duct Out Line System

① OLADC12x4 12" Metal coupler from ADC to OL	1
② A301 Fixing knob	10
③ A321 Bolt	10
④ GB-16-8 OUT16xIN8,5 washer	5



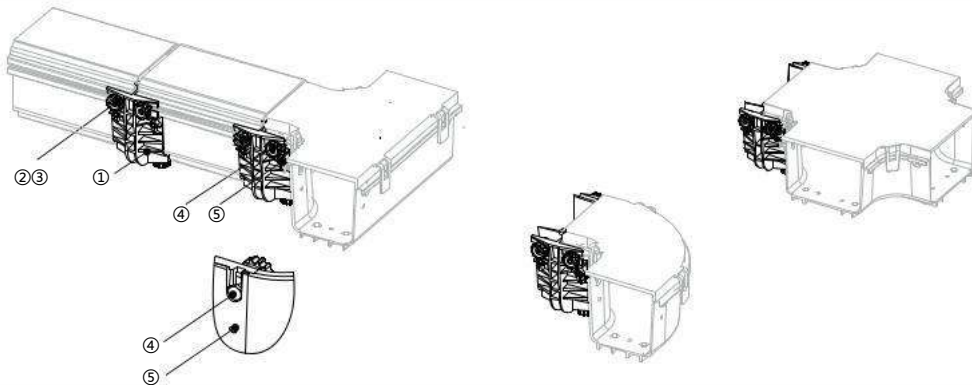
Straight Unit Cover Installation -- 4" & 6"



Straight Unit Cover Kit

	Item	P/N	Part	Quantity		Item	P/N	Part	Quantity
"	①	2	" traight Unit		"	①		" traight Unit	
	②			t r		②			t r
	③					③			
	④	2	" traight Unit v K			④	2	" traight Unit v r K	5
	⑤	1				⑤	1		5
P/N: T202					P/N: T				

Coupler Installation



Coupler Kit A For Straight Sections

	Item	P/N	Part	Quantity		Item	P/N	Part	Quantity
"	①	2 4	4" Coupler Kit A		"	①		6" Coupler Kit A	1
	②					②			
	③	2				③	2		
1 "	①	5	10" Coupler Kit A		2"	①	4	12" Coupler Kit A	
	②					②			
	③	2		1		③	2		
P/N: T20					P/N: T 6				
P/N: T 02					P/N: T 28				

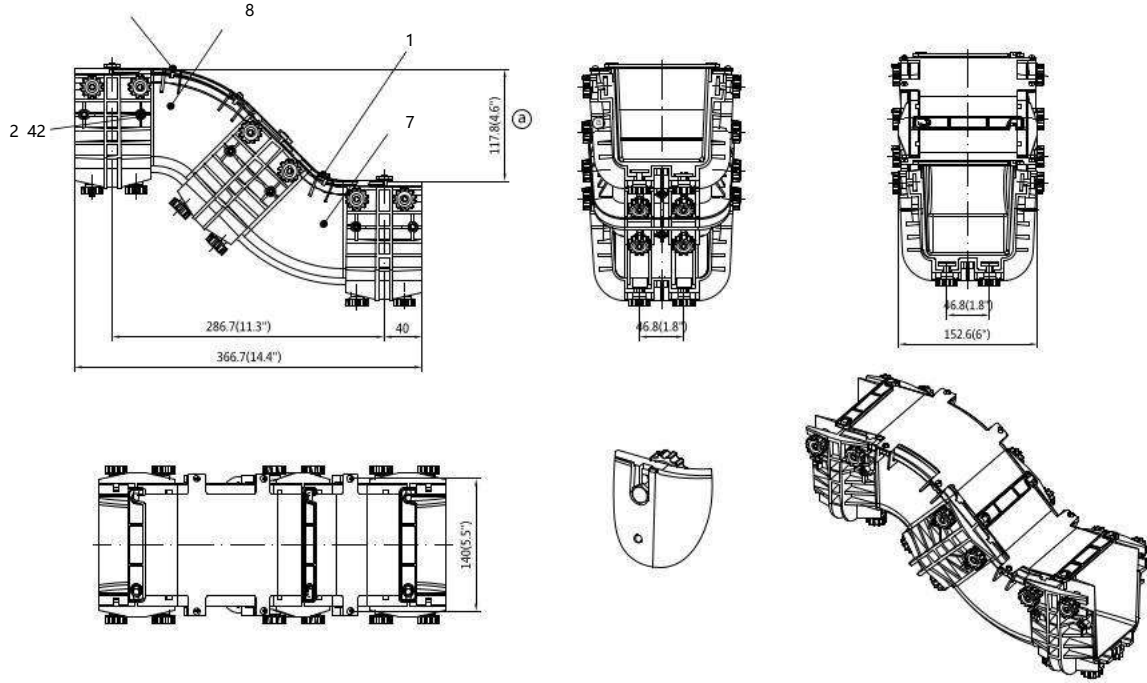
Coupler Kit B For Other P

	Item	P/N	Part	Quantity		Item	P/N	Part	Quantity
"	①	2 4	4" Coupler Kit B		"	①		6" Coupler K	
	②					②			
	③	2				③	21		
	④	GB5780-86				④	GB5780-86		
	⑤	B7 - 5				⑤	B7 - 5		
"	①	5	10" Coupler K		2"	①	4	12" Coupler K	1
	②	1				②	1		
	③	2				③	2		
	④	GB5780-86				④	GB5780-86		
	⑤	GB79-85				⑤	B7 - 5		
P/N: T20					P/N: T 6				
P/N: T 02					P/N: T 28				

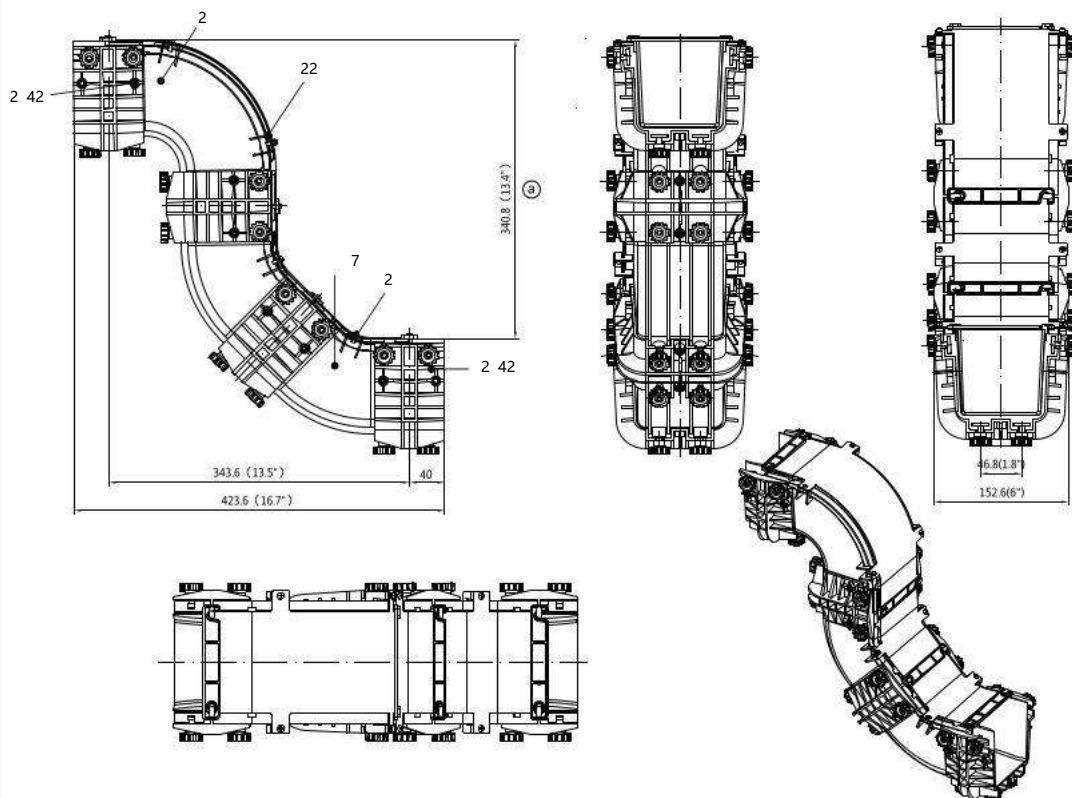


Example

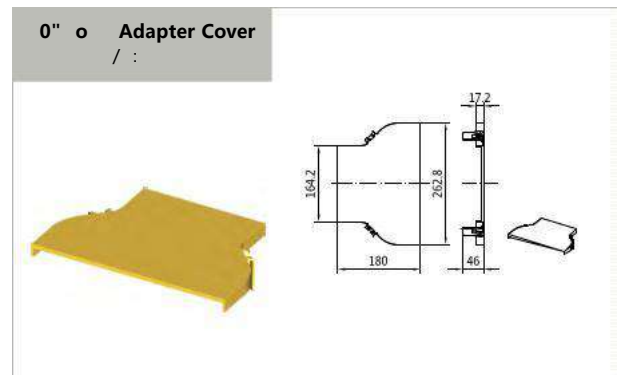
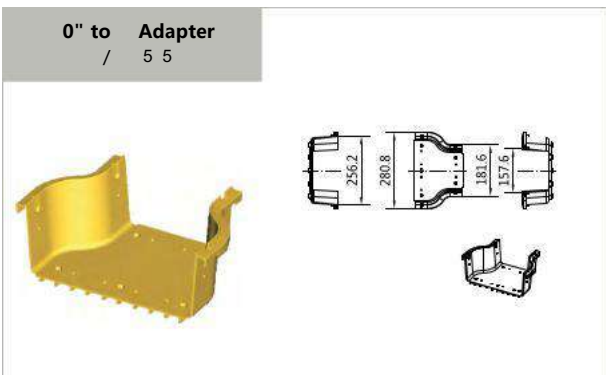
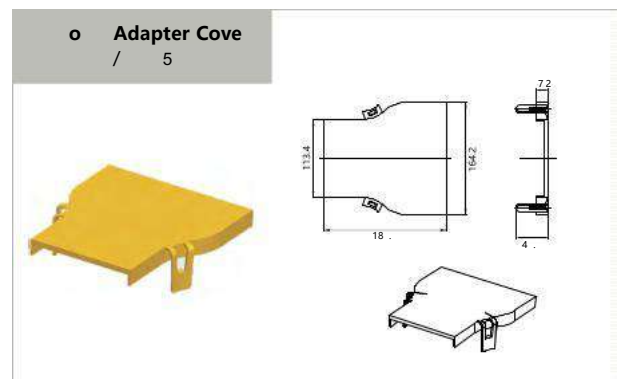
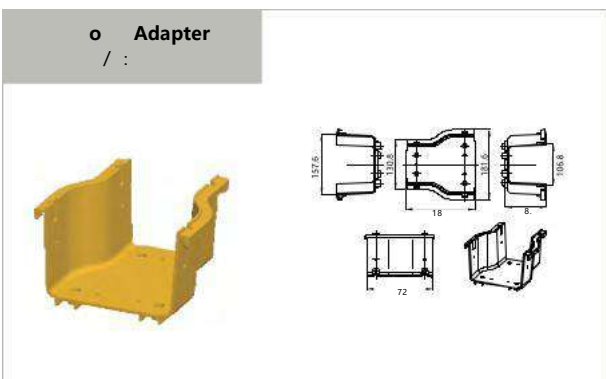
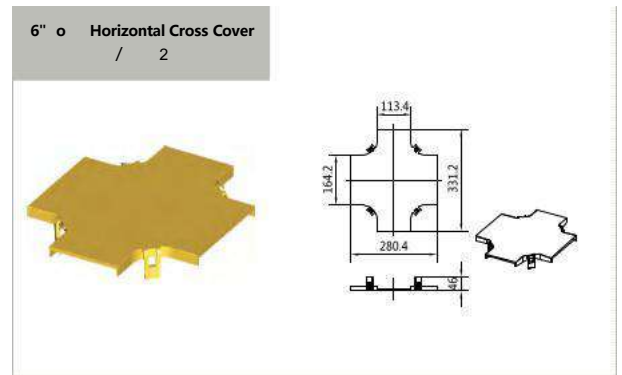
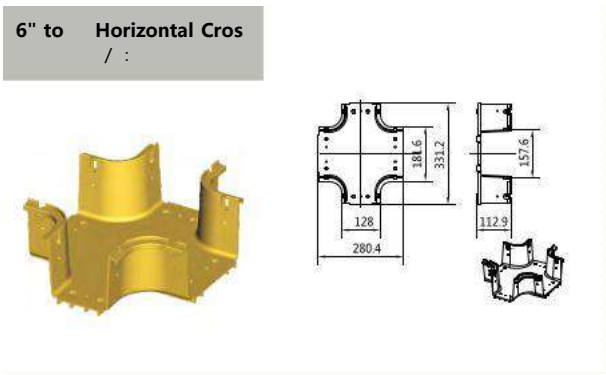
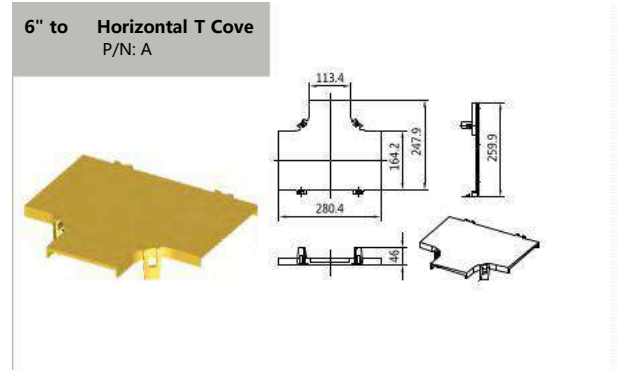
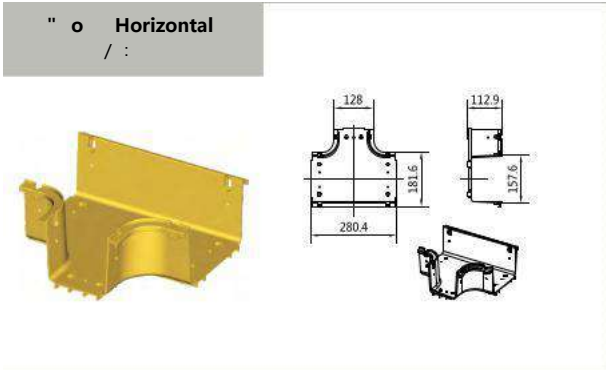
45° Climbing Installation (4)



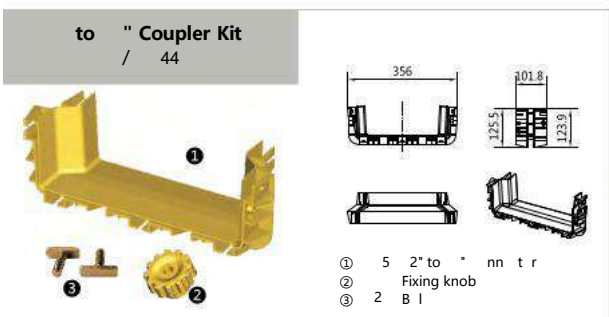
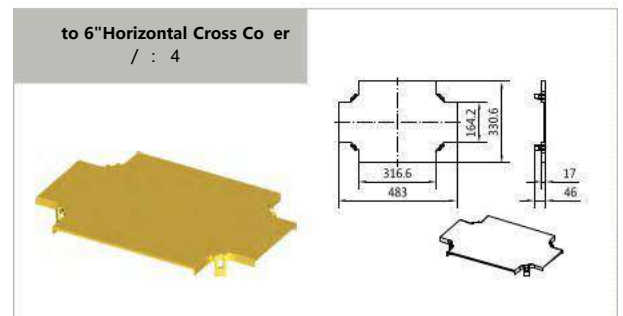
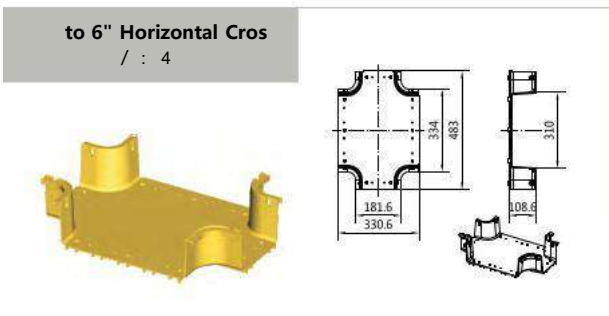
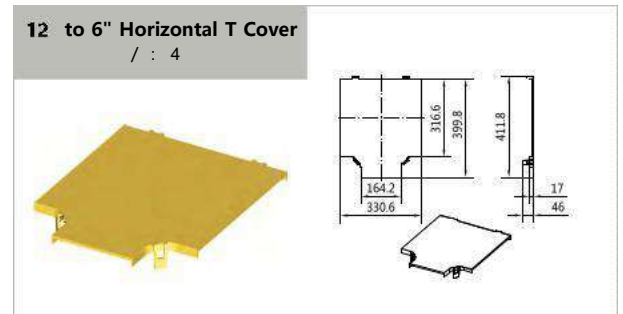
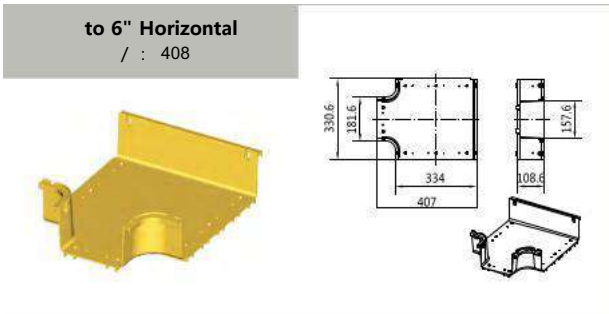
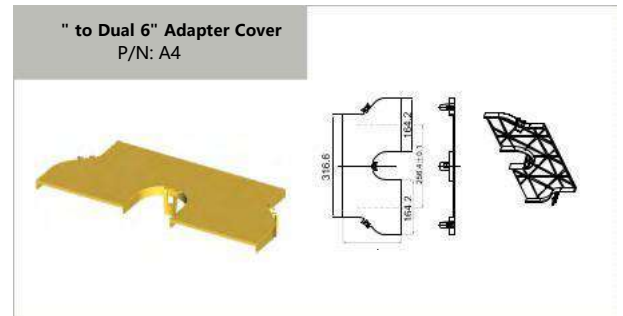
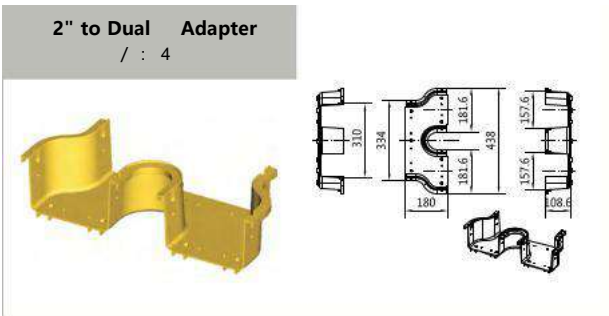
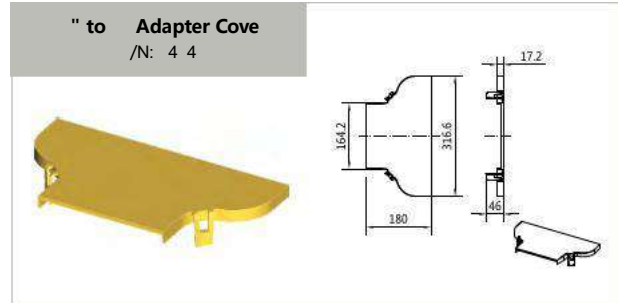
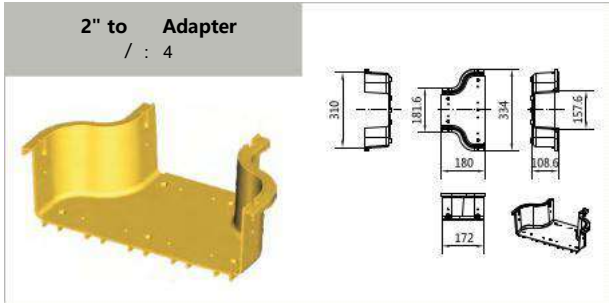
90° Climbing Installation (4)

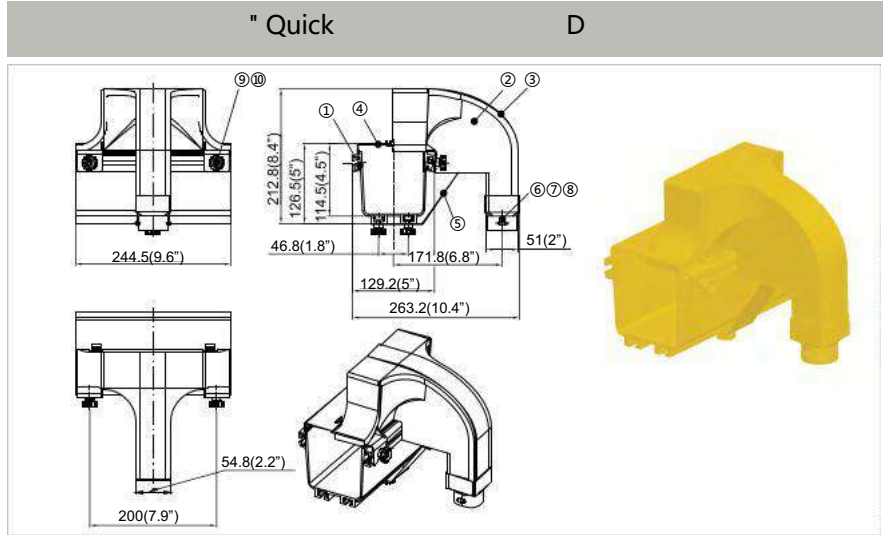
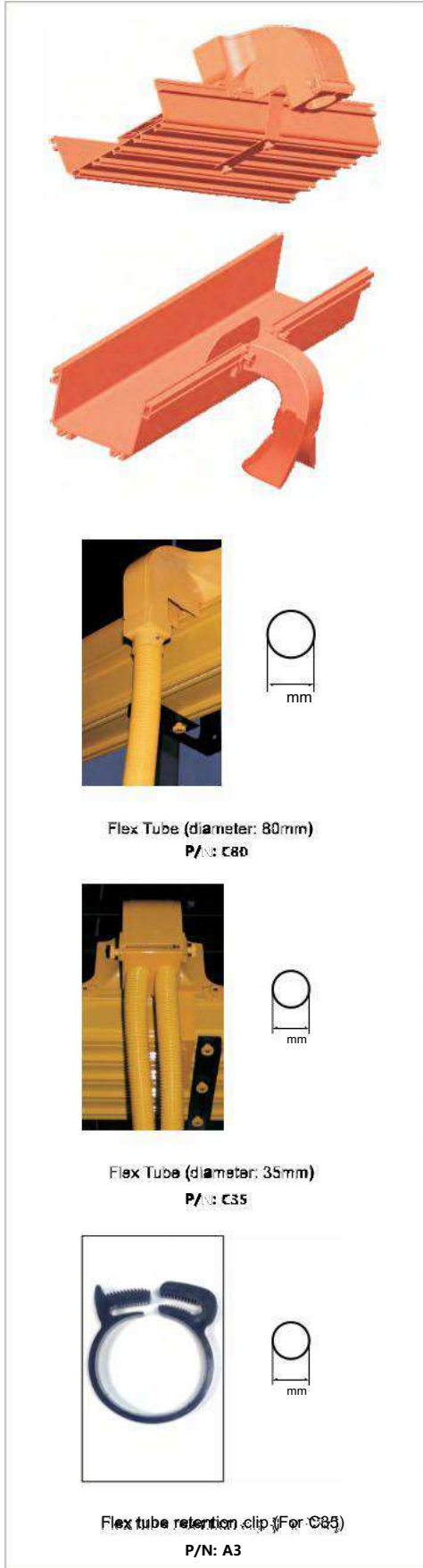


OPTICAL CABLE DUCT HYBRID COUPLER / ADAPTERS

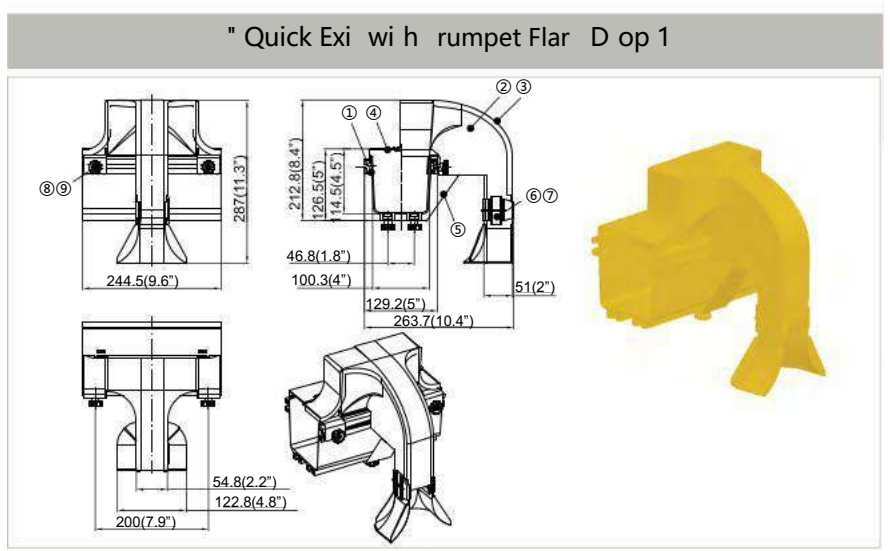


OPTICAL CABLE DUCT HYBRID COUPLER / ADAPTERS



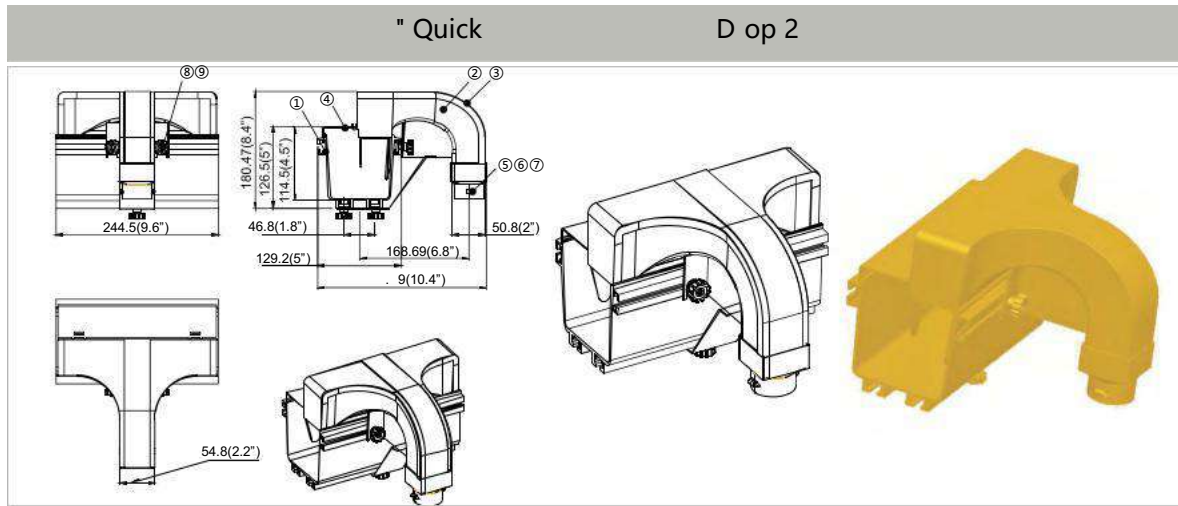


Exit Kit for " Quick Exit with Rumpet Flar Drop 1				Exit Kit for " Quick Exit with Rumpet Flar Drop 1			
Item	P/N	Part	Quantity	Item	P/N	Part	Quantity
①		straight Unit	N/A	①		straight Unit	N/A
②		Quick Exit		②		Quick Exit	
③		Quick Exit Cover		③		Quick Exit Cover	
④	5	Quick Exit End Cover		④	2	Quick Exit End Cover	
⑤	2	Supporting Bracket		⑤	22	Supporting Bracket	
⑥		Splat		⑥		Splat	
⑦		Fiber Exit Coupler		⑦		Fiber Exit Coupler	
⑧	GB8 8-85	M 8 r P n H r w		⑧	GB8 8-85	M 8 r P n H r w	
⑨		Fixing Knob		⑨		Fixing Knob	
⑩	2	Bracket		⑩	2	Bracket	

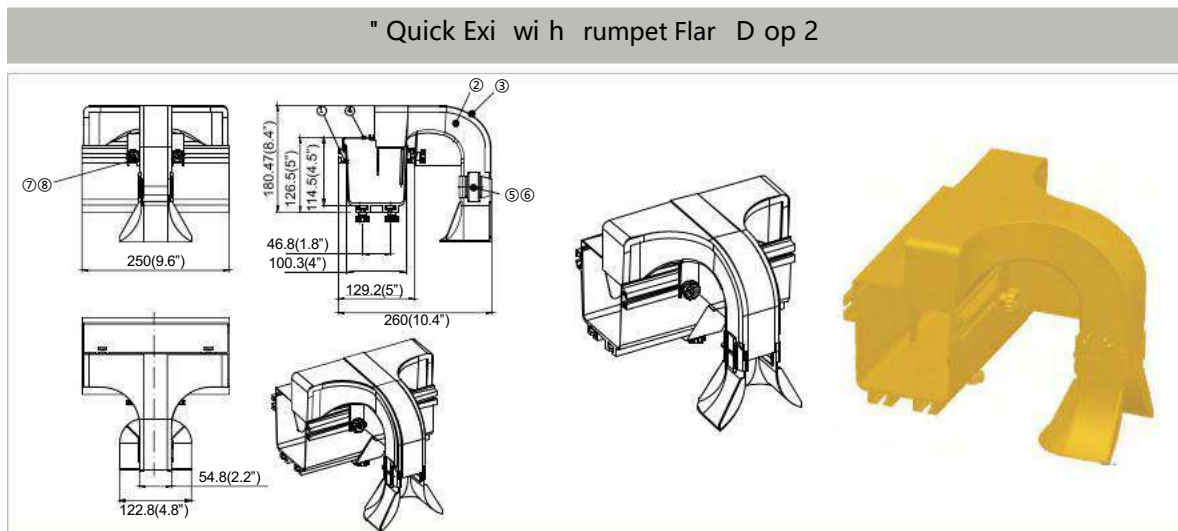


Exit Kit for " Quick Exit with Rumpet Flar Drop 1				Exit Kit for " Quick Exit with Rumpet Flar Drop 1			
Item	P/N	Part	Quantity	Item	P/N	Part	Quantity
①		straight Unit	N/A	①		straight Unit	N/A
②		Quick Exit		②		Quick Exit	
③		Quick Exit Cover	1	③		Quick Exit Cover	1
④	250	Quick Exit End Cover	1	④	12	Quick Exit End Cover	1
⑤	2	Supporting Bracket		⑤	22	Supporting Bracket	
⑥	1	Coupler		⑥	1 8	Coupler	
⑦		rumpet Flar		⑦		rumpet Flar	
⑧	1	Fixing Knob		⑧	1	Fixing Knob	
⑨	21	Bracket		⑨	21	Bracket	

OPTICAL CABLE DUCT EXIT DROP OPTIONS

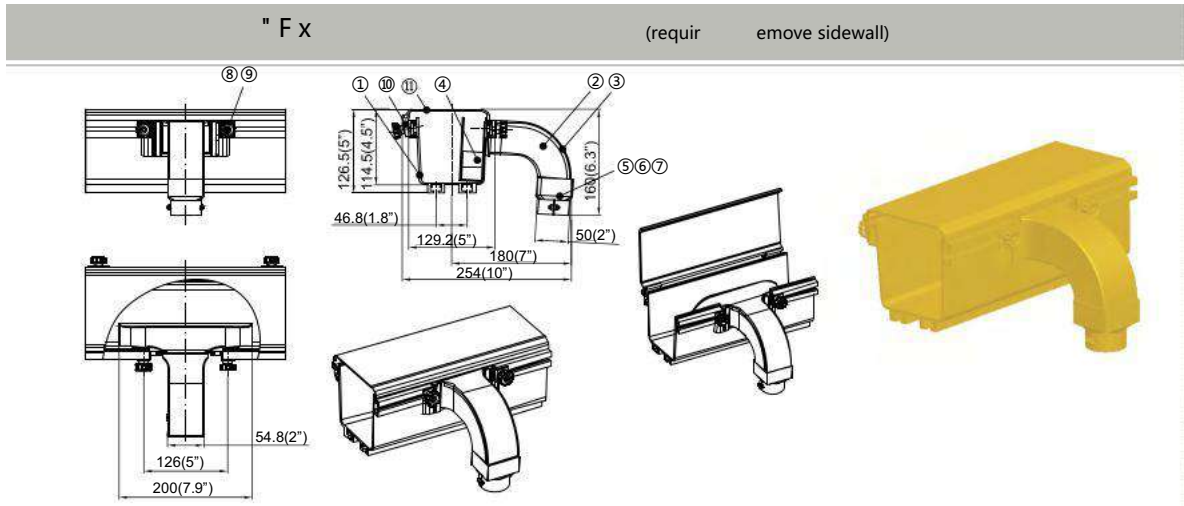


Exit Kit for " Quick Exit Drop 2 P/N 4				Exit Kit for " Quick Exit Drop 2 P/N 42			
Item	P/N	Part	Quantity	Item	P/N	Part	Quantity
①		straight Unit	N/A	①		straight Unit	N/A
②	2 4	Quick Exit		②	2 4	Quick Exit	
③	2	Quick Exit Cover		③	2	Quick Exit Cover	
④	250	Quick Exit End Cover		④	5	Quick Exit End Cover	
⑤		Splat		⑤		Splat	
⑥		Fiber Exit Coupler		⑥		Fiber Exit Coupler	
⑦	GB8 8-85	M *8 r P n H r w		⑦	GB8 8-85	M *8 r P n H r w	
⑧		Fixing Knob		⑧		Fixing Knob	
⑨	2	Blt		⑨	2	Blt	

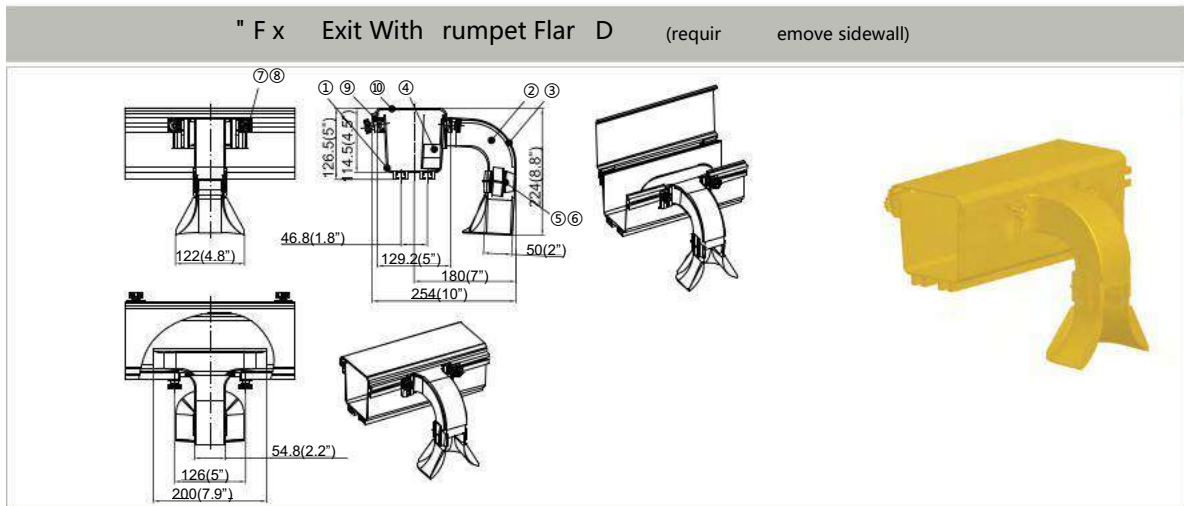


Exit Kit for " Quick Exit with Rumpet Flar Drop 2 P/N 4				Exit Kit for " Quick Exit with Rumpet Flar Drop 2 P/N 44			
Item	P/N	Part	Quantity	Item	P/N	Part	Quantity
①		straight Unit	N/A	①	1	straight Unit	N/A
②	4	Quick Exit		②	4	Quick Exit	
③	2	Quick Exit Cover		③	2	Quick Exit Cover	
④	250	Quick Exit End Cover		④	5	Quick Exit End Cover	
⑤		Coupler		⑤	8	Coupler	
⑥		rumpet Flar		⑥		rumpet Flar	
⑦		Fixing Knob		⑦		Fixing Knob	
⑧	2	Blt		⑧	2	Blt	

OPTICAL CABLE DUCT EXIT DROP OPTIONS



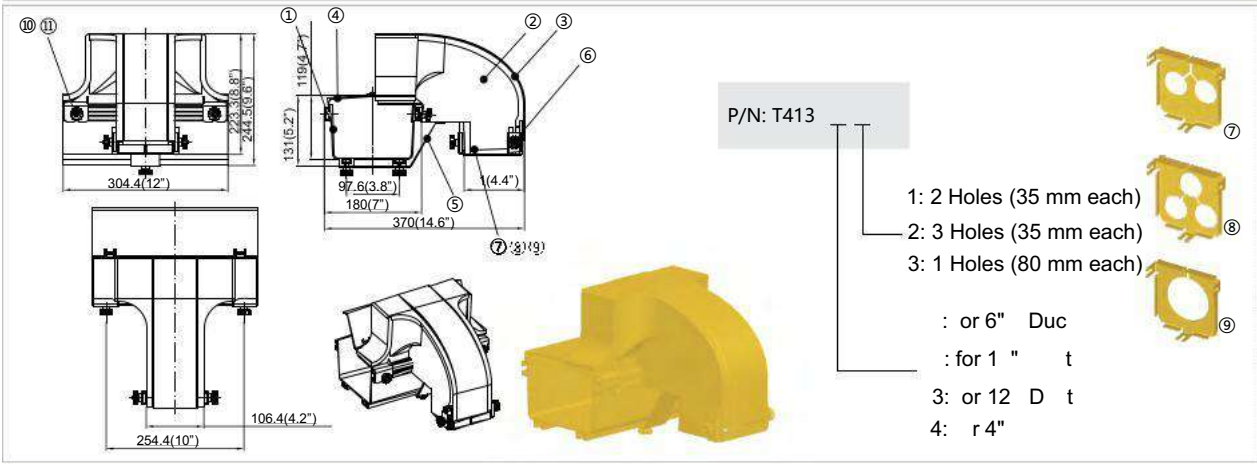
Exit Kit r 4" D P/N				Exit Kit r " D P/N 2			
Item	P/N	Part	Quantity	Item	P/N	Part	Quantity
①	2	traight Unit	N/A	①		traight Unit	N/A
②		2" Fix Exi		②		2" Fix Exi	
③		Fix Exit v		③		Fix Exit v	
④		ray Fiber Runner		④		ray Fiber Runner	
⑤		Splat		⑤		Splat	
⑥		Fl x t tt hm n		⑥		Fl x t tt hm n	
⑦		Fixing Knob		⑦		Fixing Knob	
⑧	2	B lt		⑧	2	B lt	
⑨		Hinge		⑨		Hinge	
⑩	2	traight Unit Cover		⑩	2	traight Unit Cover	



Exit Kit f r " D t P/N				Exit Kit f r " D t P/N 4			
Item	P/N	Part	Quantity	Item	P/N	Part	Quantity
①	2	traight Unit	N/A	①		traight Unit	N/A
②		2" Fix Exi		②	111	2" Fix Exi	
③		Fix Exit v		③		Fix Exit v	
④	2	ray Fiber Runner		④	2	2 ray Fiber Runner	1
⑤	8	nn t r		⑤	8	nn t r	
⑥		rumpet Flar		⑥		rumpet Flar	
⑦		Fixing Knob		⑦		Fixing Knob	
⑧	2	B lt		⑧	2	B lt	
⑨		Hinge	N/A	⑨		Hinge	N/A
⑩		traight Unit Cover	N/A	⑩		traight Unit Cover	N/A



4" Quick Exit with Flex Tube Drop 1

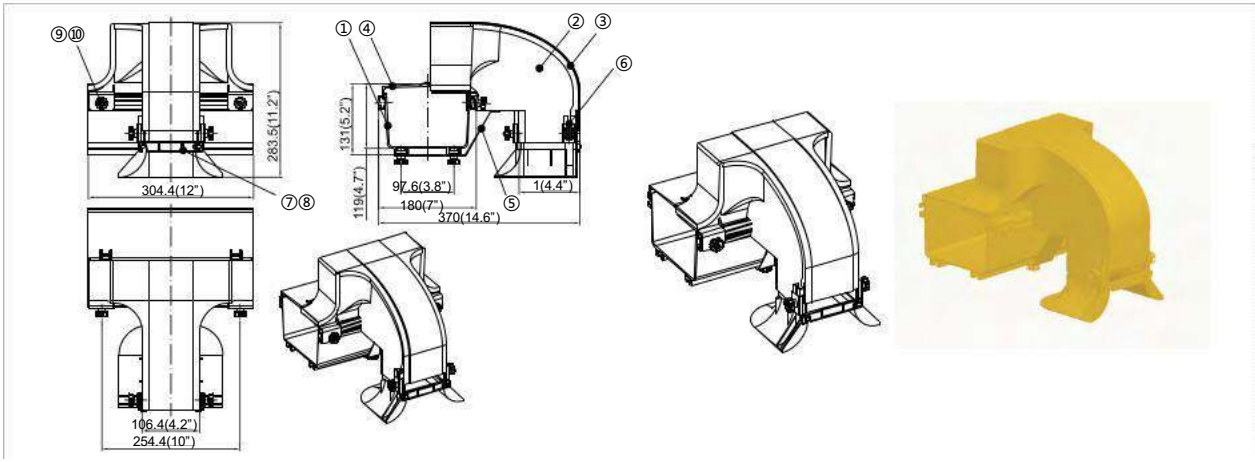


Exit Kit for 4" Duct P/N T413 __					Exit Kit for 6" Duct P/N T413 __						
	Item	P/N	Part	Quantity		Item	P/N	Part	Quantity		
P/N: T413 __	①		traight Unit	N/A	P/N: T413 __	①		traight Unit	N/A		
	②	4	Quick Exit			②	4	Quick Exit			
	③	4 5	Quick Exit Cover			③	4 5	Quick Exit Cover			
	④	44	Quick Exit End Cover			④	44	Quick Exit End Cover			
	⑤	2	Supporting Bracket			⑤		Supporting Bracket			
	⑥	4	L k W h			⑥	4	L k W h			
	⑦	4 2	Fi r B d (1)			⑦	4 2	Fi r B d (1)	h		
	⑧	4	Fi r B d (2)			⑧	4	Fi r B d (2)			
	⑨	44	Fi r B d (3)			⑨	44	Fi r B d (3)			
		⑩		Fixing Knob				⑩		Fixing Knob	
		⑪	2	B It				⑪	2	B It	

Exit Kit for 10" Duct / T413 __					Exit Kit for 12" Duct / T413 __						
	Item	P/N	Part	Quantity		Item	P/N	Part	Quantity		
P/N: T413 __	①	50	traight Unit	N/A	P/N: T413 __	①	4	2 traight Unit	N/A		
	②	4	Quick Exit			②	4	Quick Exit			
	③	4 5	Quick Exit Cover			③	4 5	Quick Exit Cover			
	④	5	Quick Exit End Cover			④	4	Quick Exit End Cover			
	⑤	5 5	Supporting Bracket			⑤	4	2 Supporting Bracket	1		
	⑥	4	L k W h			⑥	24	L k W h			
	⑦	4	Fi r B d (1)	h		⑦	4	Fi r B d (1)	h		
	⑧	4	Fi r B d (2)			⑧	4	Fi r B d (2)			
	⑨	44	Fi r B d (3)			⑨	44	Fi r B d (3)			
		⑩		Fixing Knob				⑩		Fixing Knob	
		⑪	2	B It				⑪	21	B It	



4" Quick Exit with Trumpet Flare Drop 1

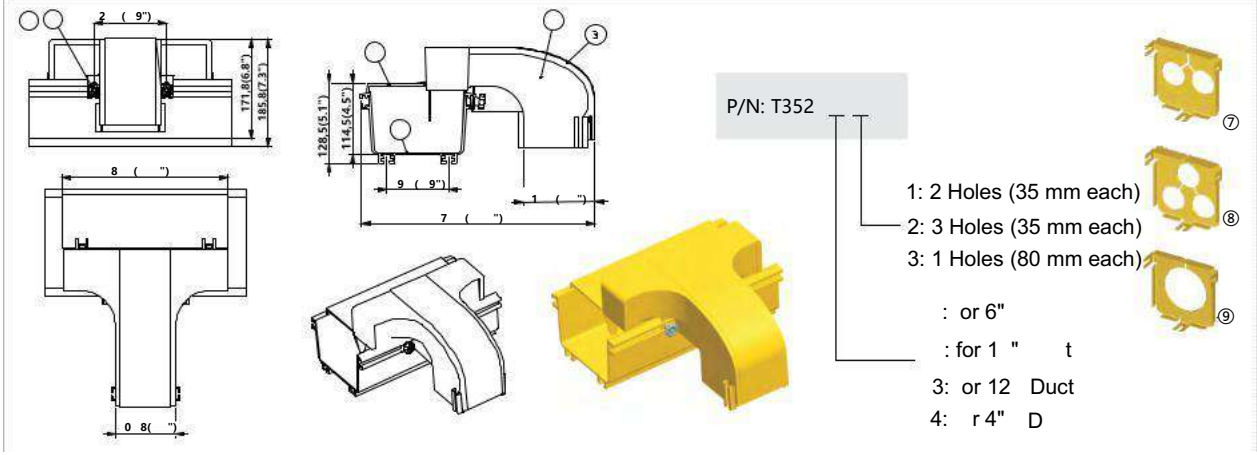


Exit Kit for 4" Duct P/N T4 44				Exit Kit for 6" Duct P/N T4 4					
	Item	P/N	Part	Quantity		Item	P/N	Part	Quantity
P/N: T41344	①	2	traight Unit	N/A	P/N: T41314	①		traight Unit	N/A
	②	4	Quick Exit			②	4	Quick Exit	
	③	4 5	Quick Exit Cover			③	4 5	Quick Exit Cover	
	④	2	Quick Exit End Cover			④	44	Quick Exit End Cover	
	⑤	2	Supporting Brack t			⑤		Supporting Brack	
	⑥	4	L k W h			⑥	4	L k W h	
	⑦	2	Trumpet Flare			⑦	2	Trumpet Flare	
	⑧	2	p ll R			⑧	2	p ll R	
	⑨		Fixing Knob			⑨		Fixing Knob	
	⑩	2	B lt			⑩	2	B l	

Exit Kit for 10" Duct / T4 24				Exit Kit for 12" Duct / T4 4					
	Item	P/N	Part	Quantity		Item	P/N	Part	Quantity
P/N: T41324	①	50	traight Unit	N/A	P/N: T41334	①	4	2" traight Unit	N/A
	②	4	Quick Exit			②	4	Quick Exit	
	③	4 5	Quick Exit Cover			③	4 5	Quick Exit Cover	
	④	5	1 Quick Exit End Cover			④	4	Quick Exit End Cover	
	⑤	5 5	Supporting Brack			⑤	4	2" Supporting Brack	
	⑥	4	L k W h			⑥	4	L k W h	
	⑦	2	Trumpet Flare			⑦	2	Trumpet Flare	
	⑧	2	p ll R			⑧	2	p ll R	
	⑨		Fixing Knob			⑨		Fixing Knob	
	⑩	2	B lt			⑩	2	B l	



4" Quick Exit with Flex Tube Drop 2

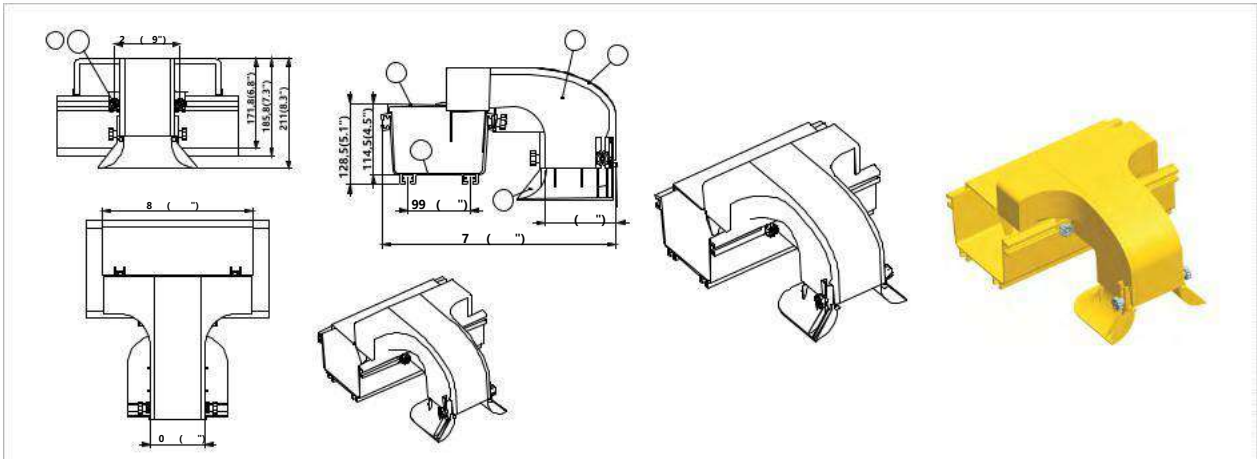


Exit Kit for 4" Duct P/N T352__				Exit Kit for 6" Duct P/N T352__						
	Item	P/N	Part	Quantity		Item	P/N	Part	Quantity	
P/N: T41344	①		traight Unit	N/A	P/N: T41314	①		traight Unit	N/A	
	②	5	Quick Exit			②	4	Quick Exit		
	③	5	Quick Exit Cover			③	4 5	Quick Exit Cover		
	④	2 7	Quick Exit End Cover			④	354	4" Exit En v		
	⑤	4	L k W h			⑤	4	L k W h		
	⑥	4 2	4" Fiber Board (1)			⑥	4 2	4" Fiber Board (1)	h	
	⑦	4	4" Fiber Board (2)			⑦	4	4" Fiber Board (2)		
	⑧	44	4" Fiber Board (3)			⑧	44	4" Fiber Board (3)		
		⑨		Fixing Knob			⑨		Fixing Knob	
		⑩	2	B It			⑩	2	B It	

Exit Kit for 10" Duct P/N T352__				Exit Kit for 12" Duct P/N T352__						
	Item	P/N	Part	Quantity		Item	P/N	Part	Quantity	
P/N: T41324	①	50	traight Unit	N/A	P/N: T41334	①	4	2" traight Unit	N/A	
	②	5	Quick Exit			②	5	Quick Exit		
	③	5	Quick Exit Cover			③	5	Quick Exit Cover		
	④	4	L k W h			④	4	L k W h		
	⑤	4 2	4" Fiber Board (1)	h		⑤	4	4" Fiber Board (1)	h	
	⑥	4	4" Fiber Board (2)				⑥	4		4" Fiber Board (2)
	⑦	44	4" Fiber Board (3)				⑦	44		4" Fiber Board (3)
		⑧		Fixing Knob			⑧		Fixing Knob	
		⑨	2	B It			⑨	2	B It	



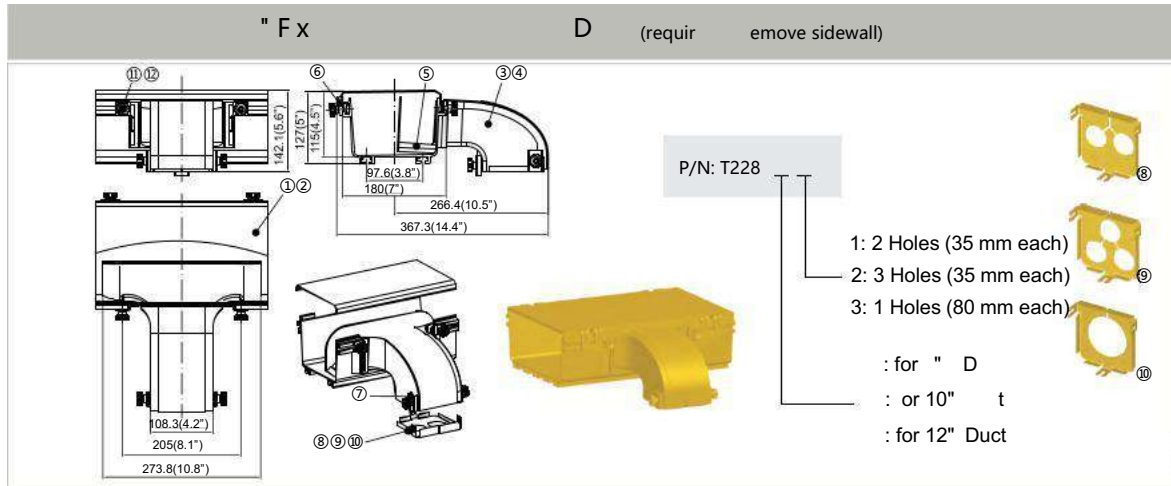
4" Quick Exit with Trumpet Flare Drop 2



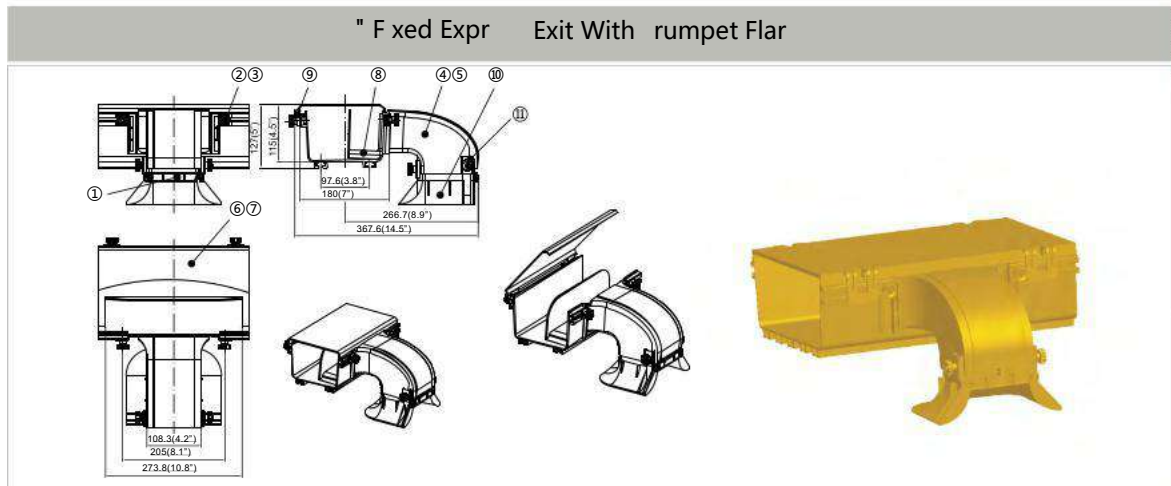
Exit Kit for 4" Duct P/N T35224				Exit Kit for 6" Duct P/N T3524					
	Item	P/N	Part	Quantity		Item	P/N	Part	Quantity
P/N: T35244	①	2	traight Unit	N/A	P/N: T3524	①	4	traight Unit	N/A
	②	5	Quick Exit			②	4	Quick Exit	
	③	5	Quick Exit Cover			③	4 5	Quick Exit Cover	
	④	2 7	Quick Exit End Cover			④	354	4" Exit En v	
	⑤	4	L k W h			⑤	4	L k W h	
	⑥	2	4" Trumpet Flare			⑥	2	4" Trumpet Flare	
	⑦	2	" P II R			⑦	2	" P II R	
	⑧		Fixing Knob			⑧		Fixing Knob	
	⑨	2	B It			⑨	2	B I	

Exit Kit for 10" Duct / T35224				Exit Kit for 12" Duct / T35234					
	Item	P/N	Part	Quantity		Item	P/N	Part	Quantity
P/N: T35224	①	50	traight Unit	N/A	P/N: T35234	①	4	" traight Unit	N/A
	②	5	Quick Exit			②	5	Quick Exit	
	③	5	Quick Exit Cover			③	5	Quick Exit Cover	
	④	4	L k W h			④	4	L k W h	
	⑤	2	4" Trumpet Flare			⑤	2	4" Trumpet Flare	
	⑥	2	" P II R			⑥	2	" P II R	
	⑦		Fixing Knob			⑦		Fixing Knob	
	⑧	2	B It			⑧	2	B It	

OPTICAL CABLE DUCT EXIT DROP OPTIONS



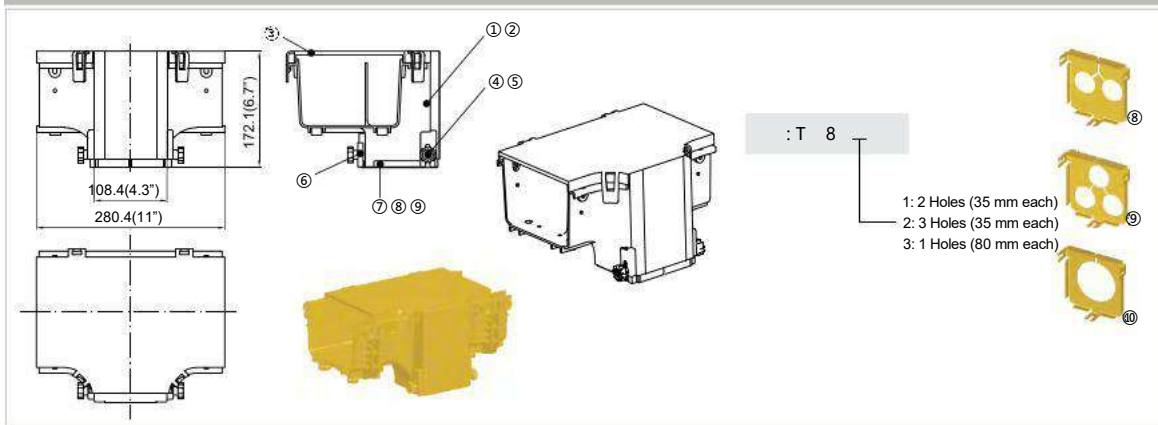
Exit Kit r " D t P/N T228_				Exit Kit r 1 " D t P/N T228_				Exit Kit r 1 " D t P/N T228_			
Item	P/N	Part	Quantity	Item	P/N	Part	Quantity	Item	P/N	Part	Quantity
①		6" traight Unit	N/A	①	50	traight Unit	N/A	①	4	12" traight Unit	N/A
②		traight Unit Cover	N/A	②	5 0	traight Unit Cover	N/A	②	4	2 traight Unit Cover	N/A
③		Fix Exi		③		Fix Exi		③		Fix Exi	
④	22	Fix Exit v		④	22	Fix Exit v		④	22	Fix Exit v	
⑤		R nn r		⑤		R nn r		⑤		R nn r	
⑥		Hinge		⑦	24	l k w h		⑦	24	l k w h	
⑦	4	k w h r		⑧	4	Fi r B d (1)		⑧	4	Fi r B d (1)	
⑧	4	Fi r B d (1)	h	⑨	4	Fi r B d (2)	h	⑨	4	Fi r B d (2)	h
⑨	4	Fi r B d (2)		⑩	44	Fi r B d (3)		⑩	44	Fi r B d (3)	
⑩	44	Fi r B d (3)		⑪		Fixing Knob		⑪		Fixing Knob	
⑪	1	Fixing Knob		⑫	2	B lt		⑫	2	B lt	
⑫	2	B l									



Exit Kit f r " D t P/N T228 4				Exit Kit f r 1 " D t P/N T 4				Exit Kit f r 1 " D t P/N T 4			
Item	P/N	Part	Quantity	Item	P/N	Part	Quantity	Item	P/N	Part	Quantity
①	2	P ll R	1	①	2	P ll R	1	①	2	P ll R	1
②		Fixing Knob		②		Fixing Knob		②		Fixing Knob	
③	2	B l		③	2	B lt		③	2	B lt	
④	228	Fix Exi	1	④	228	Fix Exi	1	④	228	Fix Exi	1
⑤	22	Fix Exit v		⑤	22	Fix Exit v		⑤	22	Fix Exit v	
⑥	2	R nn r		⑥	2	R nn r		⑥	2	R nn r	
⑦		Hinge		⑦				⑦			
⑧	2	rumpet Flar		⑧	2	rumpet Flar		⑧	2	rumpet Flar	
⑨	4	L k W h		⑨	4	L k W h		⑨	4	L k W h	
⑩		traight Unit	N/A	⑩	50	traight Unit	N/A	⑩	4	12 traight Unit	N/A
⑪		traight Unit Cover	N/A	⑪	5 0	traight Unit Cover	N/A	⑪	4	12 traight Unit Cover	N/A



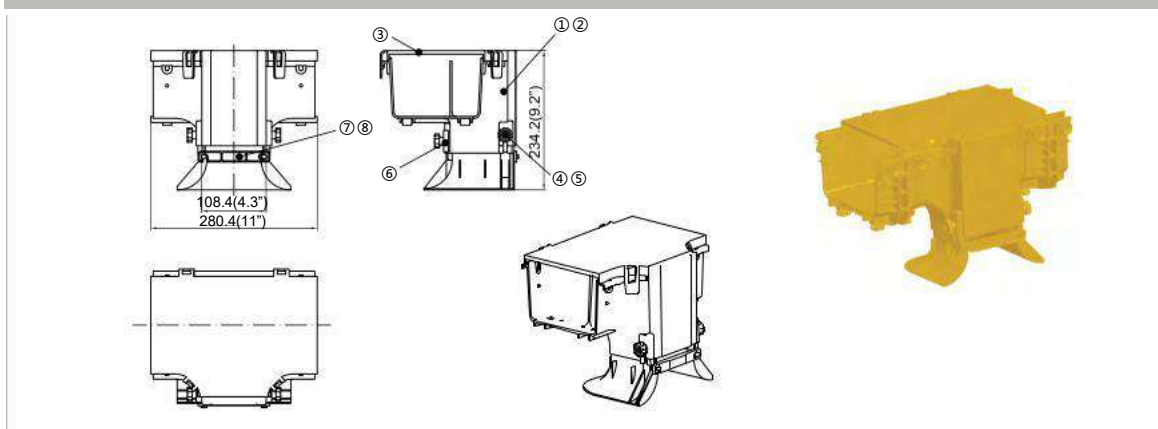
Downspout with Flex T



Downspout for 6" D t

Item	P/N	Part	Quantity
1	8	Downspout	
2	355	Downspout Front Cover	
3	A313 (D)	" t 4" H r i z n t I T v	
4		Fixing Knob	
5	2	B l	
6	4	L k W h	
7	4	F i r B d (1)	h
8	4	F i r B d (2)	
9	44	F i r B d (3)	

Downspout with Trumpet Flar

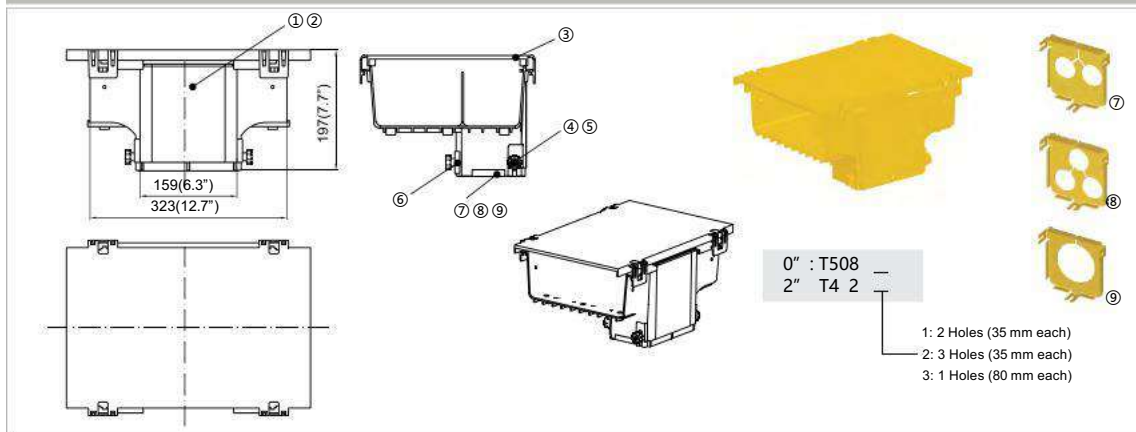


Downspout for 6" D t P/N T 4

Item	P/N	Part	Quantity
1		Downspout	
2	55	Downspout Front Cover	
3	A313 (D)	" t 4" H r i z n t I T v	
4		Fixing Knob	
5	2	B l t	
6	24	L k W h	
7	2	P l l R	
8	2	rumpet Flar	



Downspout with Flex T

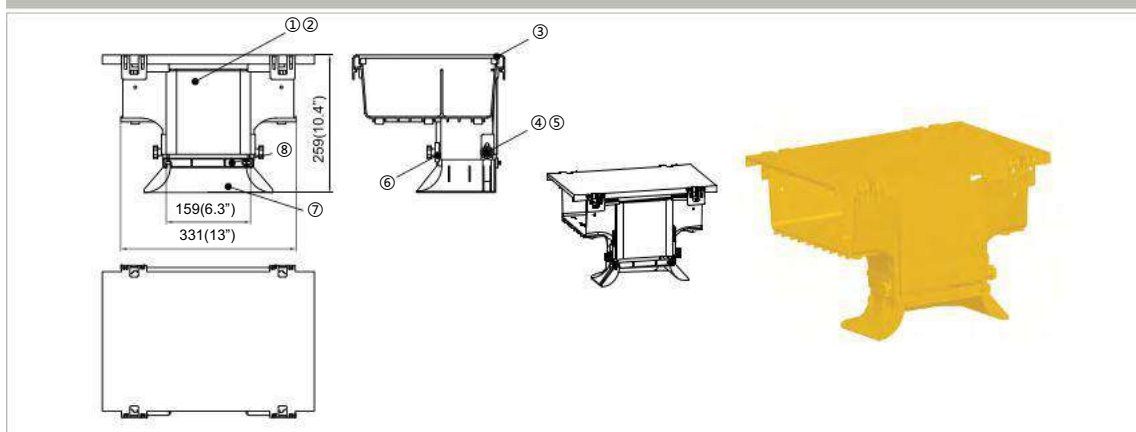


Downspout for 10" D t / T508_

Downspout for 12" D t / T412_

Item	P/N	Part	Quantity	Item	P/N	Part	Quantity
①	508	Downspout		①		2 Downspout	
②	444	2" Downspout Front v		②	444	2" Downspout Front v	
③	50	straight Unit Cover		③	4	2 straight Unit Cover	
④		Fixing Knob		④		Fixing Knob	
⑤	2	Blt		⑤	2	Blt	
⑥	24	L k w h		⑥	24	L k w h	
⑦	45	Fi r B d (1)	h	⑦	450	Fi r B d (1)	h
⑧	45	Fi r B d (2)		⑧	45	2 Fi r B d (2)	
⑨	45	2 Fi r B d (3)		⑨	452	Fi r B d (3)	

Downspout with Trumpet Flar



Downspout for 10" D t P/N T5084

Downspout for 12" D t P/N T4124

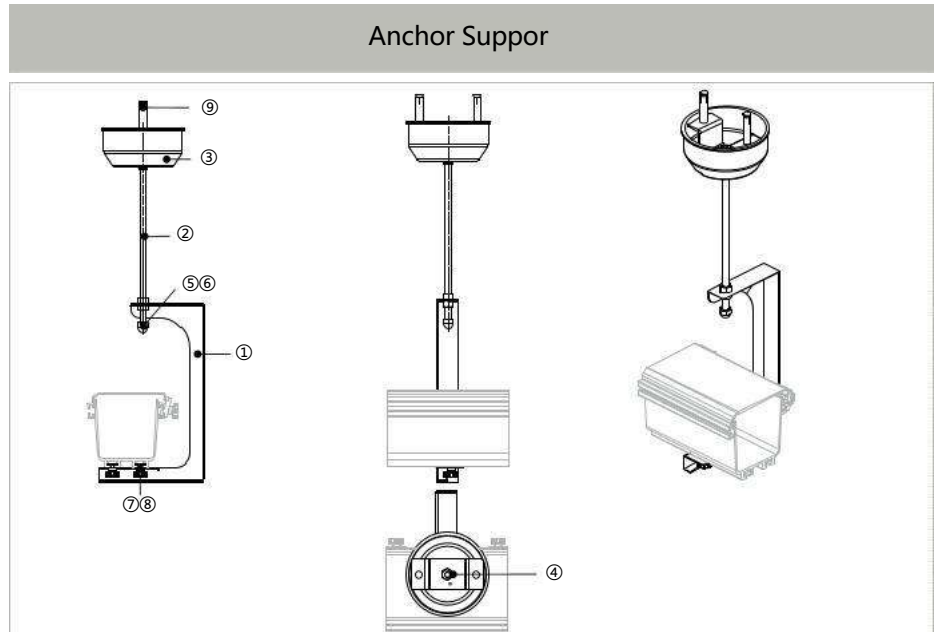
Item	P/N	Part	Quantity	Item	P/N	Part	Quantity
①	5	1 Downspout	1	①	42	12 Downspout	1
②	444	" Downspout Front v	1	②	444	" Downspout Front v	1
③	50	straight Unit Cover	1	③	422	straight Unit Cover	1
④		Fixing Knob		④		Fixing Knob	
⑤	2	Blt		⑤	2	Blt	
⑥	24	L k w h		⑥	4	L k w h	
⑦		trumpet flar	1	⑦		trumpet flar	
⑧	4	P ll r	1	⑧	4	P ll r	

*T5084 in previous version

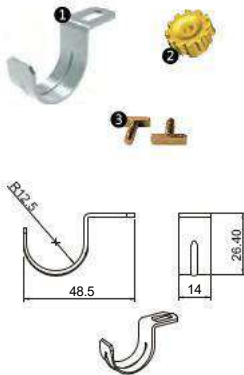


Installation / Supporting Systems

- Anchor Support
- Trapeze Support
- Top of Rack/Cabinet Support
- Auxiliary Framing Support
- Side Bracing Support

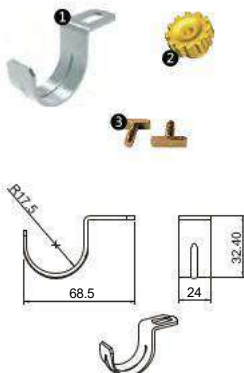


Tubular fixing kit D25 P/N: T100



- ① P100 Tubular fixing D25 1
- ② A301 Fixing Knob 1
- ③ A321 Bolt 1

Tubular fixing kit D35 P/N: T102



- ① P102 Tubular fixing D35 1
- ② A301 Fixing Knob 1
- ③ A321 Bolt 1

Anchor Support

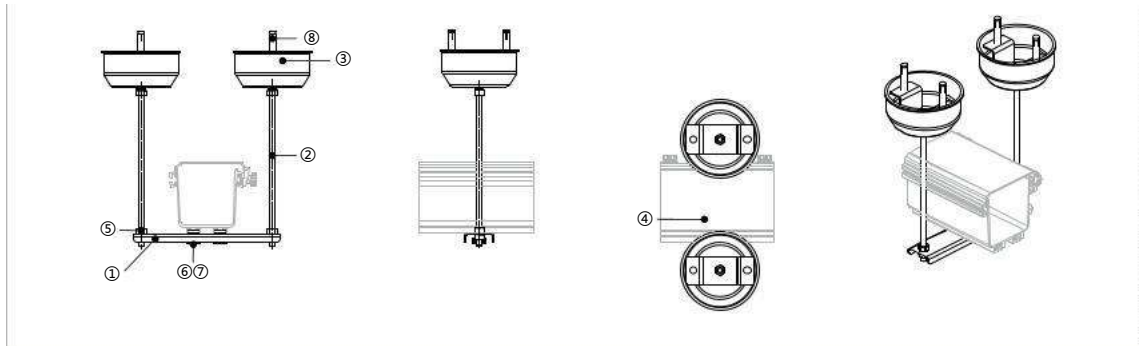
Installation P

	Item	P/N	Part	Quantity
P/N: T2 7	①	T2 7	" Br k t	
	②	P	hr	
	③		Eject r l v	
	④		Supporting Brack	
	⑤	GB/T6170-2000	M r w N t K t	
	⑥	B 2 -88	M10 Cap Nut	
	⑦		Fixing Knob	
	⑧	2	B lt	
	⑨		M8 Exp n n r w	
P/N: T3300	①	T	-Br k t	
	②	P	hr	
	③		Eject r l v	
	④	222	Supporting Brack	
	⑤	GB/T6170-2000	M1 r w N t K t	
	⑥	B -	M10 Cap Nut	
	⑦		Fixing Knob	
	⑧	2	B lt	
	⑨		M8 Exp n n r w	
P/N: T5540 (T540 in previous version)	①	T554	-Br k t	
	②	P *	hr	
	③		Eject r l v	
	④	222	Supporting Brack	
	⑤	GB/T6170-2000	M r w N t K t	
	⑥	B -	M10 Cap Nut	
	⑦		Fixing Knob	
	⑧	2	B lt	
	⑨		M8 Exp n n r w	
2" P/N: T4350	①	T4 5	2 -Br k t	
	②	P *	hr	
	③		Eject r l v	
	④		Supporting Brack	
	⑤	GB/T6170-2000	M r w N t K t	
	⑥	B -	M10 Cap Nut	
	⑦	1	Fixing Knob	
	⑧	2	B lt	
	⑨		M8 Exp n n r w	

* mm n Thr Di m r mm and length is upon request
PI t th required length on the PO



rapeze Support



Installation P

	Item	P/N	Part	Quantity		Item	P/N	Part	Quantity
"	①	225	rapeze bracket		"	①	8	" rapeze brack t	1
	②	P *	hr			②	P *	hr	
	③		Ejector Sleeve			③		Ejector Sleeve	
	④		Supporting Brack t			④		Supporting Brack t	
	⑤	GB/T6170-2000	M r w N K t			⑤	GB/T6170-2000	M r w N K t	
	⑥		Fixing Knob			⑥		Fixing Knob	
	⑦	2	B l			⑦	2	B l	
	⑧		M8 Exp n n r w			⑧		M8 Exp n n r w	
"	①	55	1 rapeze brack t		2"	①	44	2" rapeze brack t	
	②	P *	hr			②	P *	hr	
	③		Ejector Sleeve			③		Ejector Sleeve	
	④		Supporting Brack t			④		Supporting Brack t	
	⑤	GB/T6170-2000	M r w N K t			⑤	GB/T6170-2000	M r w N K t	
	⑥		Fixing Knob			⑥		Fixing Knob	
	⑦	2	B l			⑦	2	B l	
	⑧		M8 Exp n n r w			⑧		M8 Exp n n r w	

Top of Rack/Cabinet Support



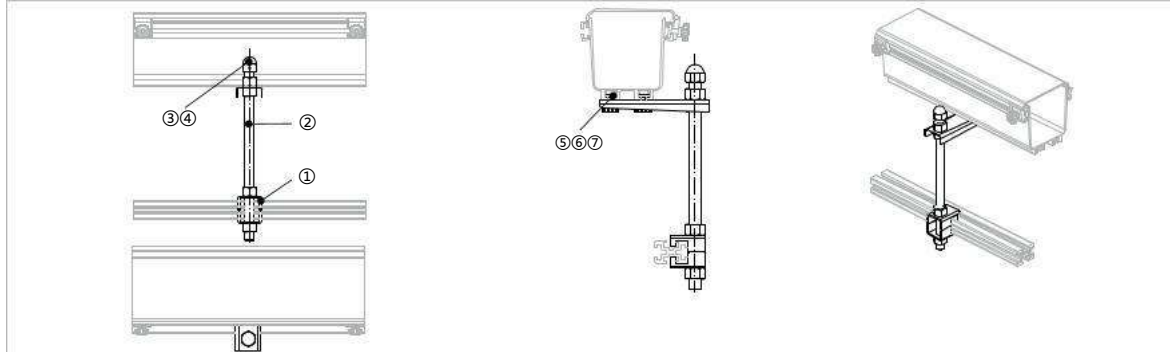
Installation P

	Item	P/N	Part	Quantity		Item	P/N	Part	Quantity
"	①	P 2*	hr		"	①	P 2*	h	
	②	GB/T6170-2000	M 2 r w N K t			②	GB/T6170-2000	M 2 r w N K t	
	③		" Center Suppor Br k t			③		" Center Suppor Br k t	
	④	1	Fixing Knob			④		Fixing Knob	
	⑤	21	B l			⑤	2	B l	
"	①	P 12*			2"	①	P 12*		
	②	GB/T6170-2000	M 2 r w N K t			②	GB/T6170-2000	M 2 r w N K t	
	③	55	" Center Suppor Br k t	1		③	44	2" Center Suppor Br k t	
	④		Fixing Knob			④		Fixing Knob	
	⑤	2	B l			⑤	2	B l	

* mm n Thr Di m r mm and length is upon request
Pl t th required length on the PO



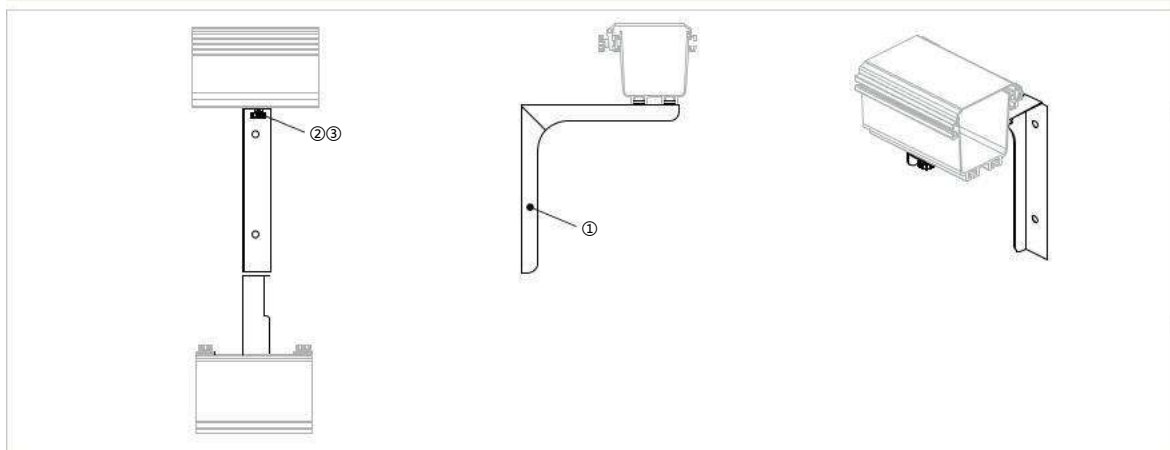
Utility Framing support



Installation P

	Item	P/N	Part	Quantity		Item	P/N	Part	Quantity
"	①		L r R k Br k t		"	①	2	L r R k Br k t	
	②	P *	Th			②	P *	h	
	③	GB/T6170-2000	M r w N t K t			③	GB/T6170-2000	M r w N t K t	
	④	B 2 -88	M16 Cap Nut			④	B 2 -88	M16 Cap Nut	
	⑤		* Supporting Bracket(2)			⑤	345	* Supporting Bracket(2)	
	⑥		Fixing Knob			⑥		Fixing Knob	
	⑦	2	B l t			⑦	2	B l t	
"	①		L r R k Br k t		2"	①		L r R k Br k t	
	②	P *	Th			②	P *	h	
	③	GB/T6170-2000	M r w N t K t			③	GB/T6170-2000	M r w N t K t	
	④	B 2 -88	M16 Cap Nut			④	B -	M16 Cap Nut	
	⑤	550	* Supporting Bracket(2)			⑤	4	2" Supporting Bracket(2)	
	⑥		Fixing Knob			⑥		Fixing Knob	
	⑦	2	B l t			⑦	2	B l t	

Wall Support



Installation P

	Item	P/N	Part	Quantity		Item	P/N	Part	Quantity
"	①	4	* Side support r t	1	"	①	7	6" Side support r t	1
	②		Fixing Knob			②		Fixing Knob	
	③	2	B l t			③	2	B l t	
"	①	5	10" Side Support Br k t		12"	①		12" Side Support Br k	
	②		Fixing Knob			②		Fixing Knob	
	③	2	B l t			③	2	B l t	

* mm n Thr Di m r mm and length is upon request
Pl t th required length on the PO



rt	m	r	Description	Page Number
2"x 2" parts				
1	1		2" Straight Unit	4
			2" Straight Unit Cover	4
	4		" 90° Horizontal Curve	4
	5		" Horizontal Curve Cover	4
			" Horizontal	4
	7		" Horizontal Cover	4
			2" Coupler	4
1	4		2" End Cap	4
1			2" 90° Up Curve	4
			2" 90° Up Curve Cover	4
			" 90° Down Curve	4
			" 90° Down Curve Cover	4
4"x 4" parts				
			4" Straight Unit	7
	5		4" Horizontal	7
2			4" Horizontal Cover	7
	7		4" 45° Up Curve	7
			4" 45° Down Curve	7
			" 90° Down Curve	7
			4" 90° Horizontal Curve	7
			4" 90° Horizontal Curve Cover	7
			4" End Cap	7
			4" Special Part End Cap	7
			4" Storage Duct Cover	7
			" Horizontal Cross	7
			" Horizontal Cross Cover	7
T			4" Straight Unit Cover Kit	7
T2	41		4" Coupler Kit A	7
T2	42		4" Coupler Kit B	7
T2	42		4" Coupler Kit S	7
T	4		4" Coupler Spill Over Kit	7
T			4" Vertical Cover Kit	7
T			4" 45° Up Curve Cover Kit	7
T220			" 45° Down Curve Cover Kit	7
T			4" 90° Down Curve Cover Kit	7
T			4" Storage Duct	7
A241			Vertical Cover Kit	7
6"x 6" parts				
305			" 90° Down Curve	2
			6" 45° Down Curve	2
7			6" 45° Up Curve	2
314			" Horizontal Cover	2
5			" 90° Horizontal Curve	2
7			" Horizontal	2
318			6" 90° Horizontal Curve Cover	2
			6" Straight Unit	2
			6" End Cap	2
325			6" Special Part End Cap	2
7			6" Horizontal Cross	2
			6" Horizontal Cross Cover	2
349			6" Storage Duct Cover	2
T			6" Straight Unit Cover Kit	2
T			" Vertical Cover Kit	1
T			6" Coupler Kit A	1
T			6" Coupler Kit B	1
T3162S			6" Coupler Kit S	1
T	4		6" 45° Up Curve Cover Kit	1
T			" 45° Down Curve Cover Kit	2
T336			6" 90° Down Curve Cover Kit	2
T	47		6" Storage Duct	2
D-	LPAN	6x4	Fitting for Transitions Kit	12
D-	LAD	6x4	Fitting for Transitions Kit	12

rt	m	r	Description	Page Number
4"x 10" parts				
			0" Straight Unit	4
5			10" Horizontal Cross	5
5	4		" Horizontal	4
			0" Horizontal Cross Cover	5
5	7		" Horizontal Cover	4
5			10" Straight Unit Cover	4
			10" 90° Horizontal Curve Cover	4
5			0" 90° Horizontal Curve	4
5			10" End Cap	5
5			10" Special Part End Cap	5
T5			10" Coupler Kit A	4
T			10" Coupler Kit B	4
T	22		10" Coupler Kit S	4
4"x 12" parts				
4			12" Straight Unit	7
4	4		2" 90° Down Curve	7
4	5		2" 45° Down Curve	7
4			12" 45° Up Curve	7
4	7		2" Horizontal Cross	7
4	7		" Horizontal	7
41			" Horizontal Cover	7
42			2" Horizontal Cross Cover	7
4			12" Straight Unit Cover	7
4	5		2" 90° Horizontal Curve Cover	7
4			2" 4" 90° Horizontal Curve Cover	7
4	7		2" 4" 90° Horizontal Curve	7
4			2" 90° Horizontal Curve	7
4			12" End Cap	7
4	4		12" Special Part End Cap	7
T4			12" Coupler Kit A	7
T42	2		12" Coupler Kit B	7
T42	2		12" Coupler Kit S	7
T4			12" 45° Up Curve Cover Kit	7
T4			2" 4" Down Curve Cover Kit	7
T4			2" 90° Down Curve Cover Kit	7
D-	LPAN	12x4	Fitting for Transitions Kit	7
D-	LAD	12x4	Fitting for Transitions Kit	7



rt	m	r	Description	Page Number
Example				
			" to 4" Horizontal Cover	
2			" to 4" Horizontal	
2			" to 4" Horizontal Cross	2
			" to 4" Horizontal Cross Cover	
			" to 4" Adapter	
1			" to 4" Adapter Cover	2
4			" to " Horizontal	
4			2" to " Adapter	
41			2" to " Horizontal Cross	
4			" to Dual " Adapter	
4			" to " Horizontal Cover	
			2" to " Horizontal Cross over	3
4			" to " Adapter	
4	4		2" to 6" Adapter Cover	
505			" to " Adapter	
5			" to " Adapter Cover	
5			2" to 10" Connector Kit	
Flex Tube				
C35			Flex tube (diameter: 35mm)	4
80			Flex tube (diameter: 80mm)	
5			Flex tube retention clip (For C35)	4
Installation				
T202			Straight Unit Cover Kit	
T			" Straight Unit Cover Kit	
T 4			4" Coupler Kit A For Straight Section	
T			6" Coupler Kit A For Straight Section	
T			10" Coupler Kit A For Straight Section	
T4			12" Coupler Kit A For Straight Section	
T204			4" Coupler Kit B For Straight Section	
T			6" Coupler Kit B For Straight Section	
T			10" Coupler Kit B For Straight Section	
T4			12" Coupler Kit B For Straight Section	
T			Tubular fixing kit	4
T 7			Anchor Support Kit	4
T			" Anchor Support Kit	4
T54			" Anchor Support Kit	4
T4 5			" Anchor Support Kit	4
T			rapeze Support Kit	
T			" rapeze Support Kit	5
T55			" rapeze Support Kit	5
T44			" rapeze Support Kit	
T			op of Rack/Cabinet Support Kit	5
T			" op of Rack/Cabinet Support Kit	5
T			" op of Rack/Cabinet Support Kit	
T44			" op of Rack/Cabinet Support Kit	5
T			" Auxiliary Framing Support Kit	
T 4			" Auxiliary Framing Support Kit	
T55			" Auxiliary Framing Support Kit	
T44			" Auxiliary Framing Support Kit	
T 4			" all Support Kit	
T 7			" all Support Kit	
T55			" all Support Kit	
T44			" all Support Kit	
Example				
			45° Climbing Installation (4")	
			90° Climbing Installation (4")	
Exit				
			" Quick Exit Kit with Flex tube Drop for 4" ray 1	4
2			" Quick Exit Kit with Flex tube Drop for 6" ray 1	
			" Quick Exit Kit with Trumpet Flare Drop for 4" ray 1	4
4			" Quick Exit Kit with Trumpet Flare Drop for 6" ray 1	4

rt	m	r	Description	Page Number
Exit				
2	41		" Quick Exit Kit with Flex tube Drop for 4" ray 2	
4			" Quick Exit Kit with Flex tube Drop for 6" ray 2	5
4			" Quick Exit Kit with Trumpet Flare Drop for 4" ray 2	5
44			" Quick Exit Kit with Trumpet Flare Drop for 6" ray 2	
T41341			4" Quick Exit Kit with Flex Tube Drop 1 for 4" Tray with 2 holes	27
T41342			4" Quick Exit Kit with Flex Tube Drop 1 for 4" Tray with 3 holes	27
T41343			4" Quick Exit Kit with Flex Tube Drop 1 for 4" Tray with 1 hole	27
T41344			4" Quick Exit Kit with Trumpet Flare Drop 1 for 4" Tray	28
T41311			4" Quick Exit Kit with Flex Tube Drop 1 for 6" Tray with 2 holes	27
T41312			4" Quick Exit Kit with Flex Tube Drop 1 for 6" Tray with 3 holes	27
T41313			4" Quick Exit Kit with Flex Tube Drop 1 for 6" Tray with 1 hole	27
T41314			4" Quick Exit Kit with Trumpet Flare Drop 1 for 6" Tray	28
T41321			4" Quick Exit Kit with Flex Tube Drop 1 for 10" Tray with 2 holes	27
T41322			4" Quick Exit Kit with Flex Tube Drop 1 for 10" Tray with 3 holes	27
T41323			4" Quick Exit Kit with Flex Tube Drop 1 for 10" Tray with 1 hole	27
T41324			4" Quick Exit Kit with Trumpet Flare Drop 1 for 10" Tray	28
T41331			4" Quick Exit Kit with Flex Tube Drop 1 for 12" Tray with 2 holes	27
T41332			4" Quick Exit Kit with Flex Tube Drop 1 for 12" Tray with 3 holes	27
T41333			4" Quick Exit Kit with Flex Tube Drop 1 for 12" Tray with 1 hole	27
T41334			4" Quick Exit Kit with Trumpet Flare Drop 1 for 12" Tray	28
T1111			2" Fixed Exit Kit with Flex Tube Drop 2 for 4" Tray	29
T1112			2" Fixed Exit Kit with Flex Tube Drop 2 for 6" Tray	29
T1113			2" Fixed Exit Kit with Trumpet Flare Drop 2 for 4" Tray	29
T1114			2" Fixed Exit Kit with Trumpet Flare Drop 2 for 6" Tray	29
T35241			4" Quick Exit Kit with Flex Tube Drop 2 for 4" Tray with 2 holes	29
T35242			4" Quick Exit Kit with Flex Tube Drop 2 for 4" Tray with 3 holes	29
T35243			4" Quick Exit Kit with Flex Tube Drop 2 for 4" Tray with 1 hole	29
T35244			4" Quick Exit Kit with Trumpet Flare Drop 2 for 4" Tray	30
T35211			4" Quick Exit Kit with Flex Tube Drop 2 for 6" Tray with 2 holes	29
T35212			4" Quick Exit Kit with Flex Tube Drop 2 for 6" Tray with 3 holes	29
T35213			4" Quick Exit Kit with Flex Tube Drop 2 for 6" Tray with 1 hole	29
T35214			4" Quick Exit Kit with Trumpet Flare Drop 2 for 6" Tray	30
T35221			4" Quick Exit Kit with Flex Tube Drop 2 for 10" Tray with 2 holes	29
T35222			4" Quick Exit Kit with Flex Tube Drop 2 for 10" Tray with 3 holes	29
T35223			4" Quick Exit Kit with Flex Tube Drop 2 for 10" Tray with 1 hole	29
T35224			4" Quick Exit Kit with Trumpet Flare Drop 2 for 10" Tray	30
T35231			4" Quick Exit Kit with Flex Tube Drop 2 for 12" Tray with 2 holes	29
T35232			4" Quick Exit Kit with Flex Tube Drop 2 for 12" Tray with 3 holes	29
T35233			4" Quick Exit Kit with Flex Tube Drop 2 for 12" Tray with 1 hole	29
T35234			4" Quick Exit Kit with Trumpet Flare Drop 2 for 12" Tray	30
			xe xt t w t Flex tube Drop for 6" ray with 2 holes	
			xe xt t w t Flex tube Drop for 6" ray with 3 holes	
			xe xt t w t Flex tube Drop for 6" ray with 1 hole	
4			xe xt t w t Trumpet Flare Drop for 6"	
22821			xe xt t w t Flex tube Drop for 10" ray with 2 holes	
			xe xt t w t Flex tube Drop for 10" ray with 3 holes	
			xe xt t w t Flex tube Drop for 10" ray with 1 hole	
22824			xe xt t w t Trumpet Flare Drop for 10"	
			xe xt t w t Flex tube Drop for 12" ray with 2 holes	
			xe xt t w t Flex tube Drop for 12" ray with 3 holes	
22833			xe xt t w t Flex tube Drop for 12" ray with 1 hole	
4			xe xt t w t Trumpet Flare Drop for 12"	
			Downspout with Flex tube Drop with 2 holes for 6"	
3082			Downspout with Flex tube Drop with 3 holes for 6"	
			Downspout with Flex tube Drop with 1 hole for 6"	
4			Downspout with Trumpet Flare Drop for 6" ra	
5081			Downspout with Flex tube Drop with 2 holes for 10"	
5			Downspout with Flex tube Drop with 3 holes for 10"	
5			Downspout with Flex tube Drop with 1 hole for 10"	
5084			Downspout with Trumpet Flare Drop for 10"	
			Downspout with Flex tube Drop with 2 holes for 12"	
			Downspout with Flex tube Drop with 3 holes for 12"	
4123			Downspout with Flex tube Drop with 1 hole for 12"	33
4	4		Downspout with Trumpet Flare Drop for 12"	



